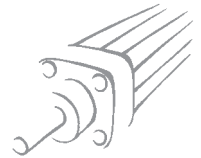


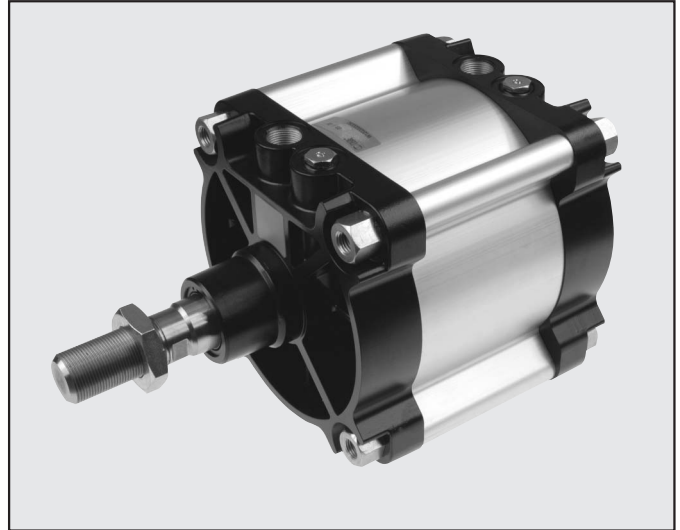
CYLINDER SERIES ISO 6431 VDMA, Ø 160-200 mm



1

Cylinders made to ISO 6431 available in various versions and with a wide range of accessories:

- Configuration with or without magnet
- Double-acting – single- or through-rod
- NBR gaskets
- Special configurations on request



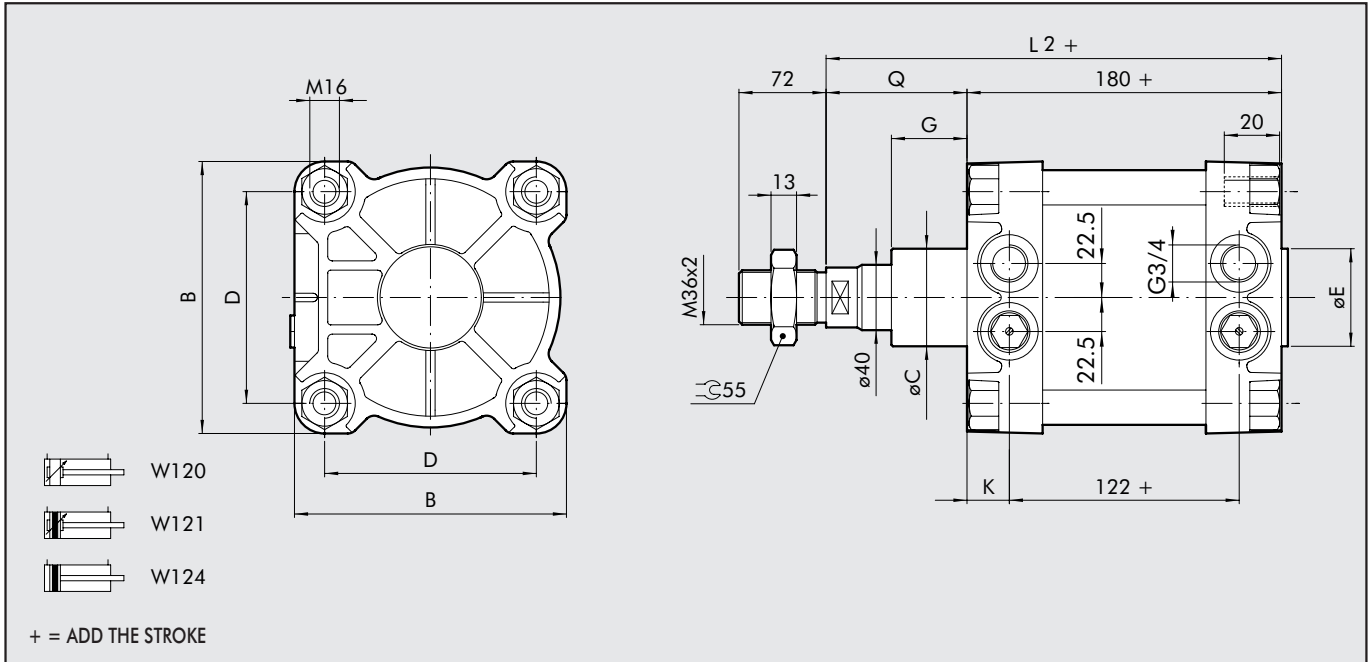
TECHNICAL DATA

Operating pressure	P	max 10 bar (1 MPa)
Temperature range	T _e	-10°C to +70°C
Fluid temperature	T _f	-10°C to +70°C
Design		Profile with internal tie rods
Materials		Heads: die cast aluminium
		Piston rod: thick chromed steel
		Jacket: aluminium
		Piston: aluminium with PTFE guide belt
		Gaskets: NBR
Forces generated at 6 bar (tensile stress)		See GENERAL TECHNICAL DATA PAGE 1.1/05
Standard strokes	mm	25-50-75-80-100-125-150-200-250-300-350-400-500-600-700-800-900-1000
Weight		See GENERAL TECHNICAL DATA PAGE 1.1/06

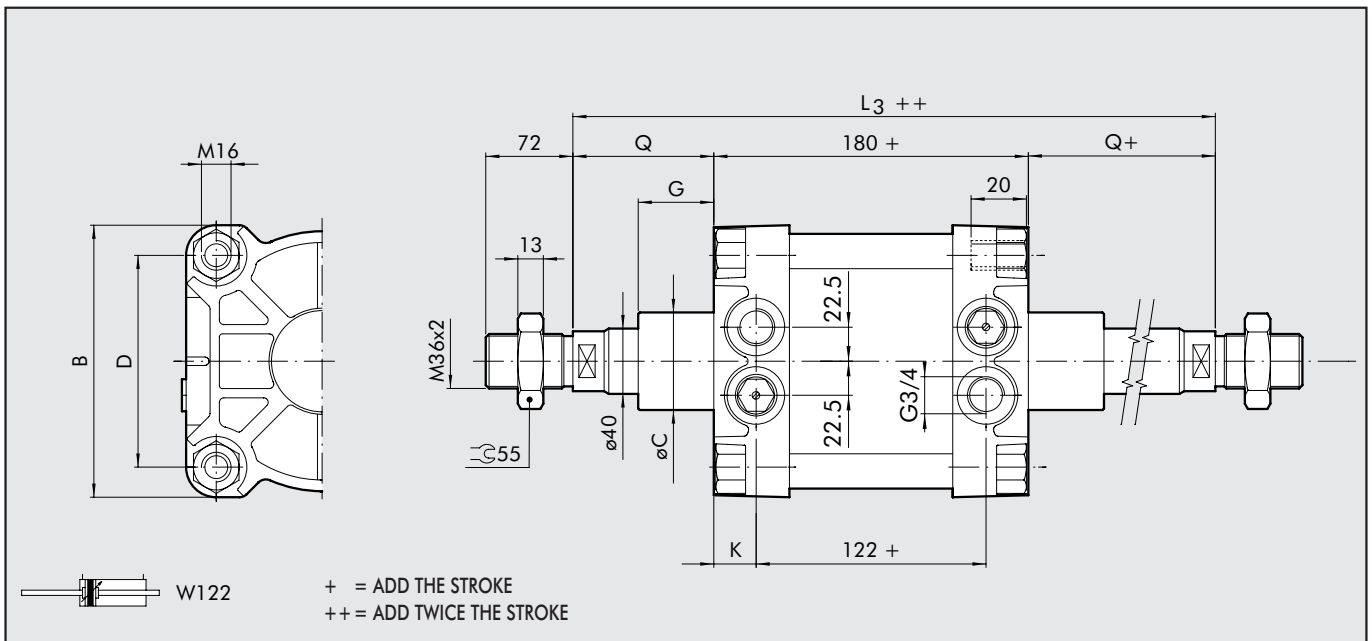
KEY TO CODES

CYL	W	1	2	1	1	6	0	0	0	5	0
		TYPE				DIAMETER-EXECUTION			STROKE		
	W120	Double-acting, cushioned, non magnetic				160			0025 ÷ 2800 mm		
	W121	Double-acting cylinder, cushioned				200					
	W122	Double-acting cylinder, cushioned, through-rod				AA3	160+intermediate hinge				
	W124	Double-acting cylinder, non-cushioned				AA4	200+intermediate hinge				
						XA3	160 stainless steel piston rod				
						XA4	200 stainless steel piston rod				

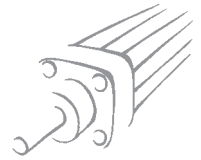
DIMENSIONS OF STANDARD VERSION



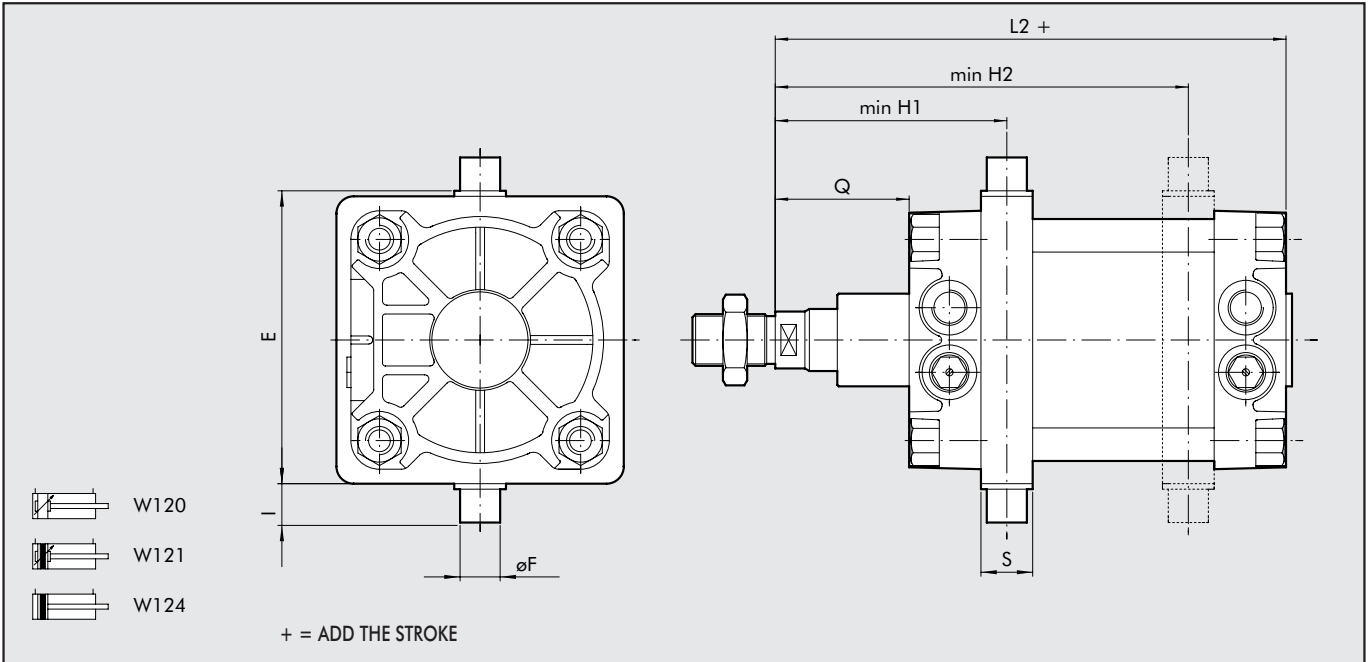
DIMENSIONS OF THROUGH-ROD VERSION



Ø	B	Ø C	Ø E	D	G	L ₂	L ₃	Q	K
160	180	65	65	140	50	259	338	79	28
200	220	75	75	175	60	275	370	95	29



DIMENSIONS OF VERSION WITH INTERMEDIATE HINGE



Ø	E	Ø F	H1	H2	I	L2	Q	S
160	200	32	145	195	32	259	79	40
200	250	32	161	211	32	275	95	40

For the missing values, refer to standard cylinders.
 In your order, please specify the desired value for H1

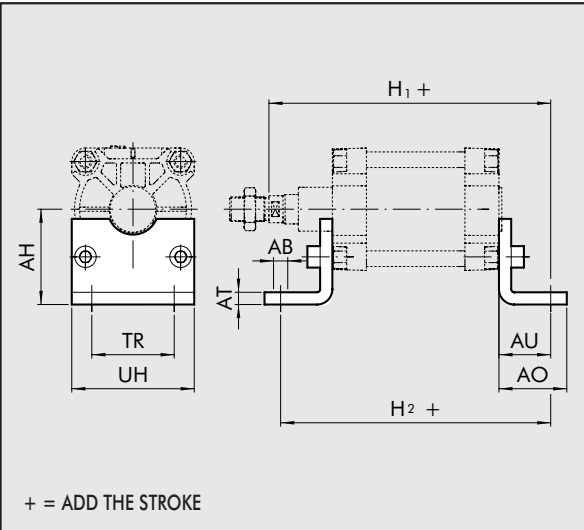
ACCESSORIES: FIXINGS

LEGS - MODEL A

Code	Ø	AB	AH	AO	AT	AU	H ₁	H ₂	TR	UH	Weight [g]
------	---	----	----	----	----	----	----------------	----------------	----	----	------------

W0951602001	160	18	115	80	10	60	319	300	115	180	2400
W0952002001	200	22	135	120	10	70	345	320	135	220	4000

Note: Individually packed with 2 screws.

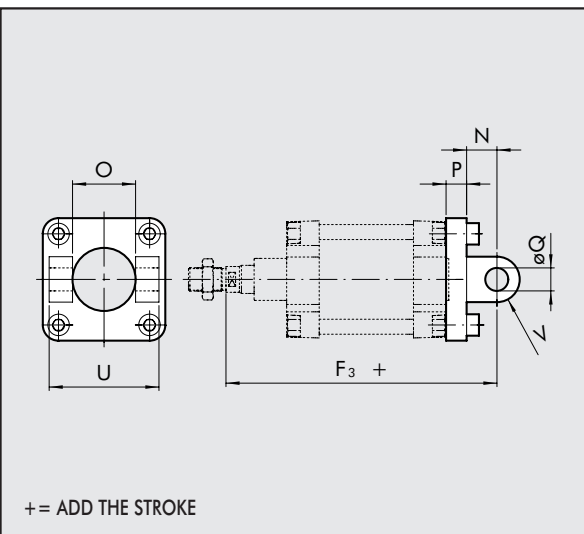


FEMALE HINGE - MODEL B

Code	Ø	U	O	ØQ	P	N	F ₃	V	Weight [g]
------	---	---	---	----	---	---	----------------	---	------------

W0951602003	160	170	90	30	20	35	314	30	3500
W0952002003	200	170	90	30	20	40	335	30	6000

Note: Supplied complete with 4 screws, 4 washers, 2 snap rings.

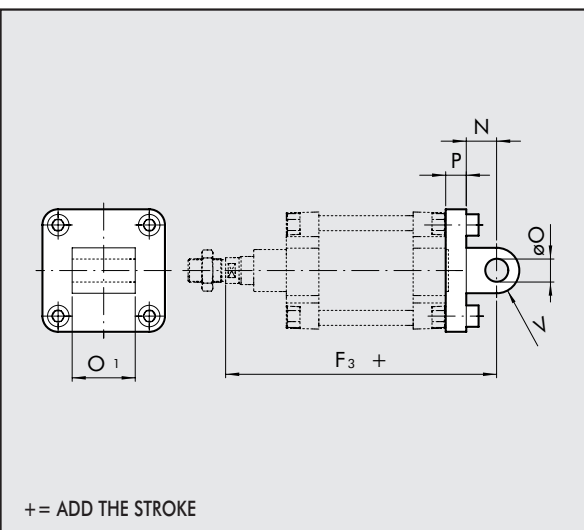


MALE HINGE - MODEL BA

Code	Ø	O ₁	ØO	P	N	F ₃	V	Weight [g]
------	---	----------------	----	---	---	----------------	---	------------

W0951602004	160	90	30	20	35	314	30	2600
W0952002004	200	90	30	20	40	335	30	4500

Note: Supplied complete with 4 screws, 4 washers.



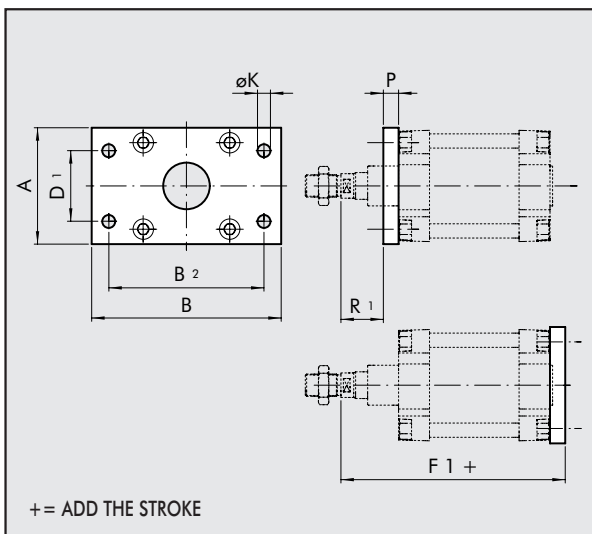


FLANGE - MODEL C

Code	Ø	A	B	B ₂	D ₁	ØK	R ₁	P	F ₁	Weight [g]
------	---	---	---	----------------	----------------	----	----------------	---	----------------	------------

W0951602002	160	180	270	230	115	18	59	20	279	6900
W0952002002	200	225	312	270	135	22	70	25	300	12800

Note: Individually packed with 4 screws.

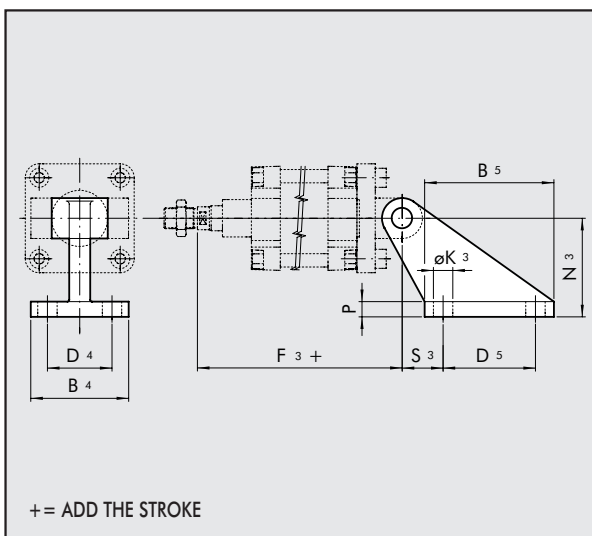


CETOP COUNTER-HINGE - MODEL GL

Code	Ø	B ₄	B ₅	D ₄	D ₅	N ₂	N ₃	S ₃	ØK ₃	P	F ₃	Weight [g]
------	---	----------------	----------------	----------------	----------------	----------------	----------------	----------------	-----------------	---	----------------	------------

W0951602008	160	110	154	63	110	55	140	50	18	20	314	2300
W0951602008	200	110	154	63	110	60	140	50	18	20	335	2300

Note: Supplied complete with 4 screws, 4 washers.

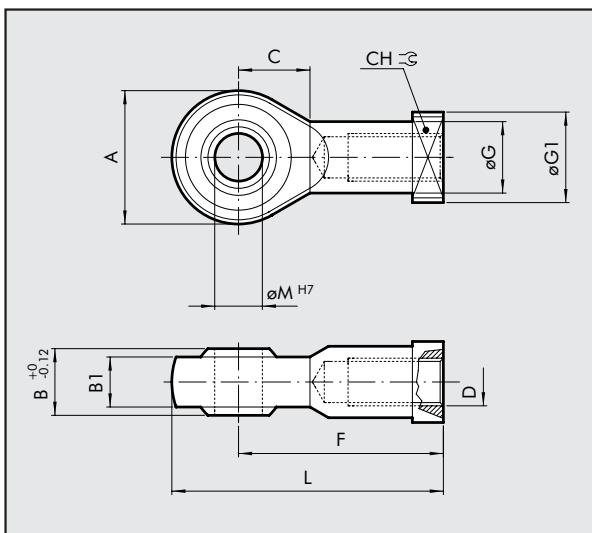


ARTICULATED JOINT - MODEL GA-M

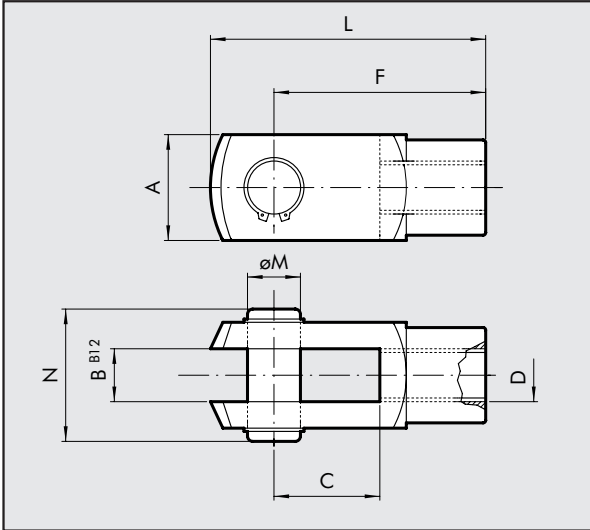
Code	Ø	ØM	C	B ₁	B	A	L	F	D	ØG	CH	ØG ₁	Weight [g]
------	---	----	---	----------------	---	---	---	---	---	----	----	-----------------	------------

W0952002025	160	35	41	28	43	80	165	125	M36x2	46	50	58	1645
W0952002025	200	35	41	28	43	80	165	125	M36x2	46	50	58	1645

Note: Individually packed



FORK FOR PISTON ROD - MODEL GK-M

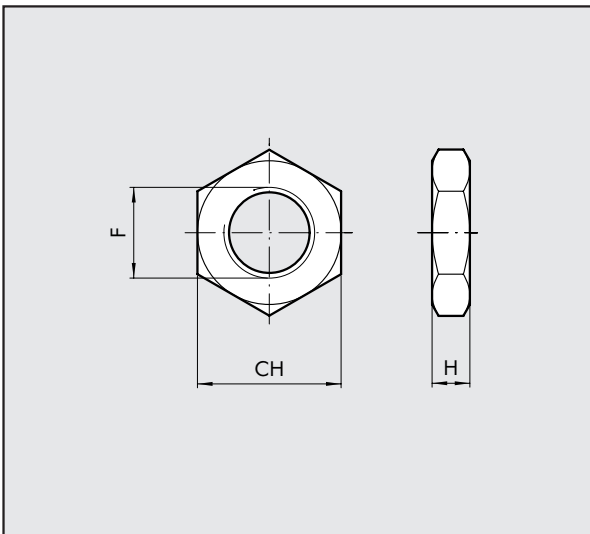


Code	Ø	ØM	C	B	A	L	F	D	N	Weight [g]
------	---	----	---	---	---	---	---	---	---	------------

W0951602020	160	35	72	35	70	188	144	M36x2	84	3850
W0951602020	200	35	72	35	70	188	144	M36x2	84	3850

Note: Individually packe

NUT FOR PISTON ROD - MODEL S

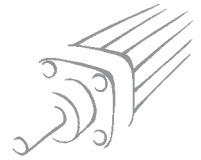


Code	Ø	F	H	CH	Weight [g]
------	---	---	---	----	------------

W0951602010	160	M36x2	13	55	170
W0951602010	200	M36x2	13	55	170

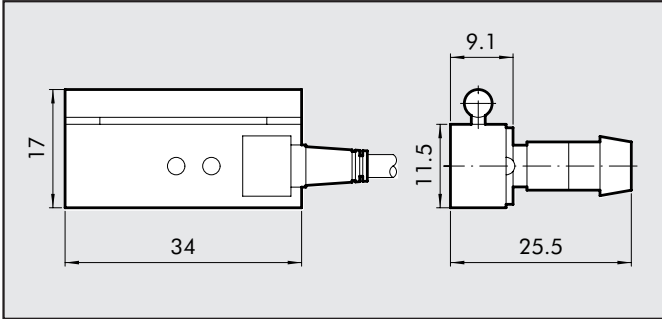
Note: Individually packe

NOTES

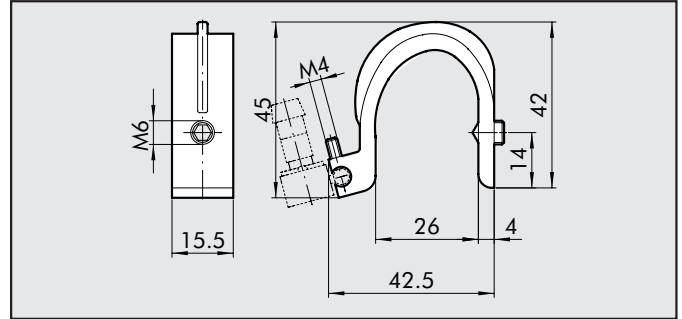


ACCESSORIES: MAGNETIC SENSORS

MAGNETIC SENSOR



SENSOR BRACKET Ø 160



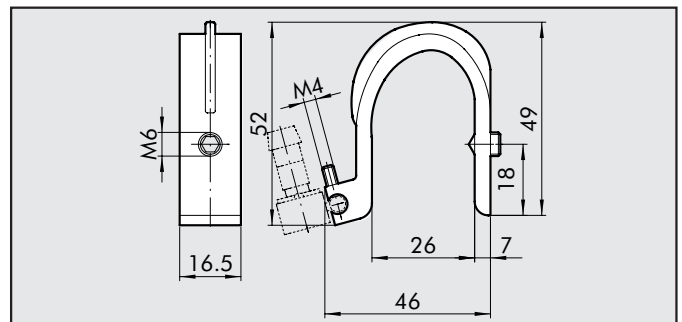
ORDERING CODES

Code	Description
MAGNETIC PROXIMITY SENSORS	
W0950000201	REED SENSOR ACC. DSM2-C525
W0950000222	E.HALL PNP SENSOR ACC. DSM3-N225
W0950000232	E.HALL NPN SENSOR ACC. DSM3-M225

SENSOR BRACKET

W0950000715	BRACKET ACC. ST160
W0950000716	BRACKET ACC. ST200

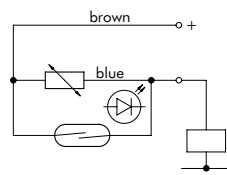
SENSOR BRACKET Ø 200



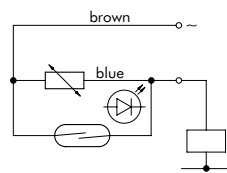
TECHNICAL DATA

Type		REED+VARISTOR+LED 2 wires	HALL VERSION PNP/NPN 3 wires
Contact		REED+VARISTOR+LED NO	HALL EFFECT NO PNP/NPN
Max AC/DC voltage	V	3÷48 (DC); 3÷220 (AC)	6-24 V DC
Max current at 25°C	mA	1000	250
Power with inductive load	VA	10	-
Power with resistive load	Watt	50	6
Switch-on time	m sec	1.2	0.8
Switch-off time	m sec	0.1	3
Switch-on point	Gauss	110	15
Switch-off point	Gauss	95	8
Operating life	-	10 ⁷ impulses	10 ⁹ impulses
Contact resistance		0.1	-
Cable length	m	2.5	2.5
Cable cross section	mm ²	0.35	0.35
Cable material		Soft PVC	Soft PVC
Circuit			

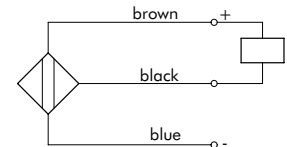
DC



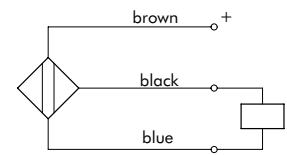
AC



Version NPN



Version PNP



1