

Flat suction cup (round)

SAF 60 NBR-45 RA

Part no.: 10.01.01.11452

<https://www.schmalz.com/10.01.01.11452>



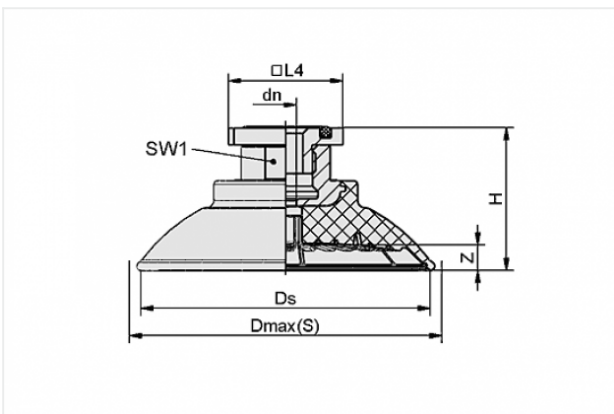
Homepage > Vacuum Technology for Automation > Vacuum Components > SAF 60 NBR-45 RA

Flat suction cup (round) for very dynamic handling of smooth and oily workpieces



Size: 60
Suction cup material:
Nitrile rubber NBR
Material hardness: 45 °Sh
Vacuum connection:
Rectangular adapter
Nipple material: Aluminium

Design Data



Attribute	Value
-----------	-------

dn	6 mm
----	------

Dmax(S)	67 mm
---------	-------

Ds	60.6 mm
----	---------

H	30.5 mm
---	---------

SW1	22 mm
-----	-------

Z	6 mm
---	------

Technical Data

Attribute	Value
-----------	-------

Suction force	150 N
---------------	-------

Lateral force	105 N
---------------	-------

Contact to Schmalz

J. Schmalz GmbH | Aacher Straße 29, Glatten, Deutschland | +49 7443 2403-105 | kundencenter@schmalz.de



Attribute	Value
Lateral force (oily surface)	85 N
Volume	16.7 cm ³
Curve radius (min) (convex)	75 mm
Internal hose diameter (recom.)	6 mm
Size	60
Suction cup material	Nitrile rubber NBR
Material hardness	45 °Sh
Weight	46.5 g
Number of folds	0
