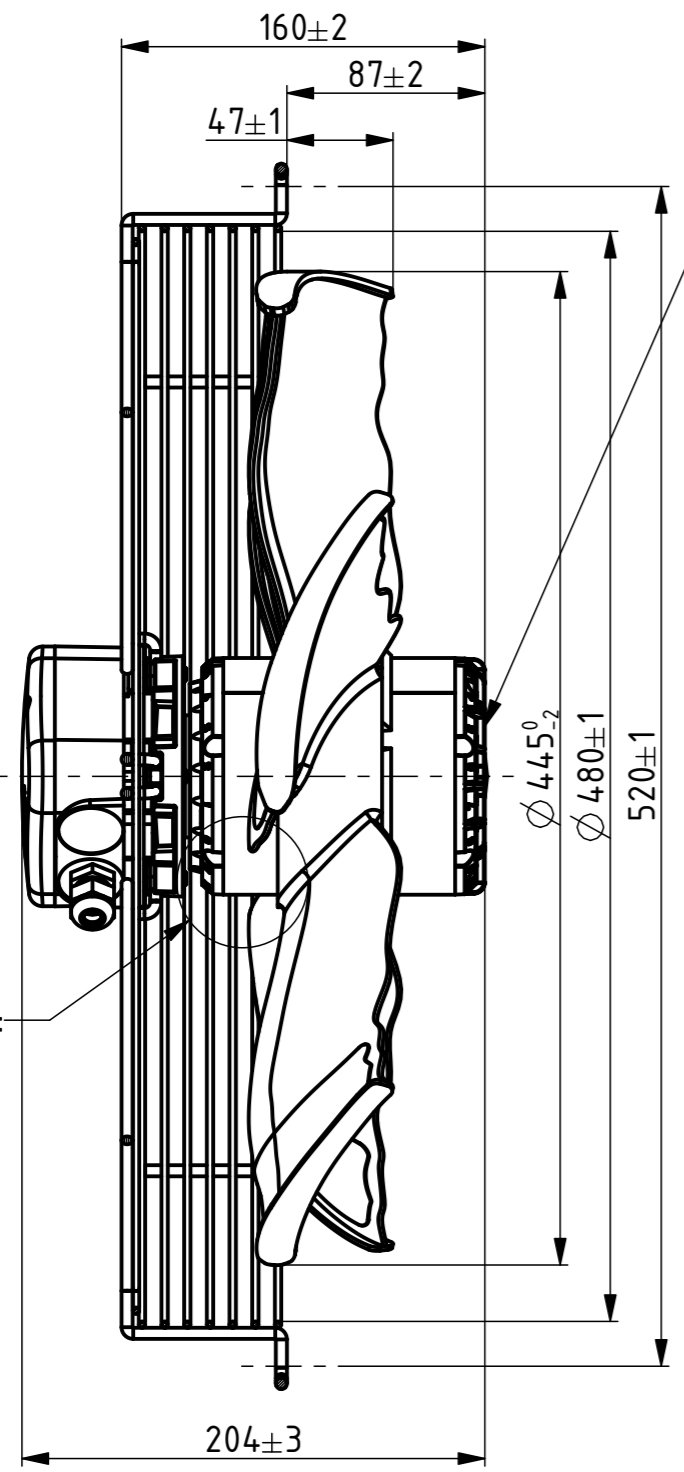
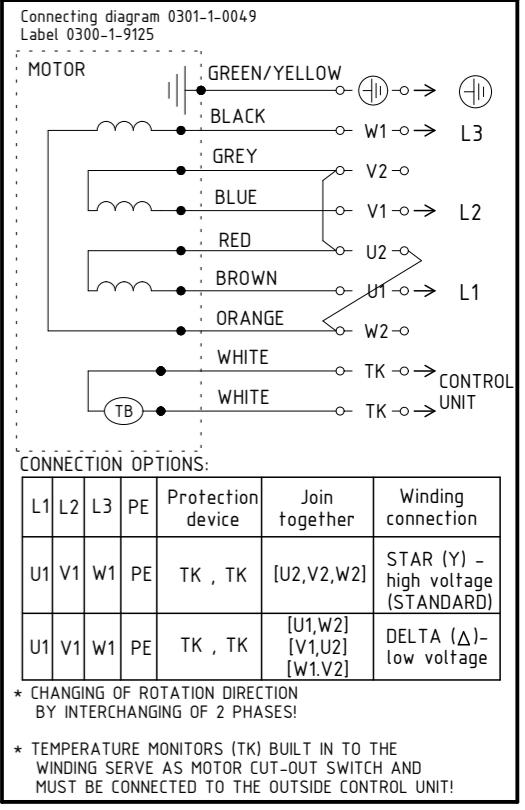
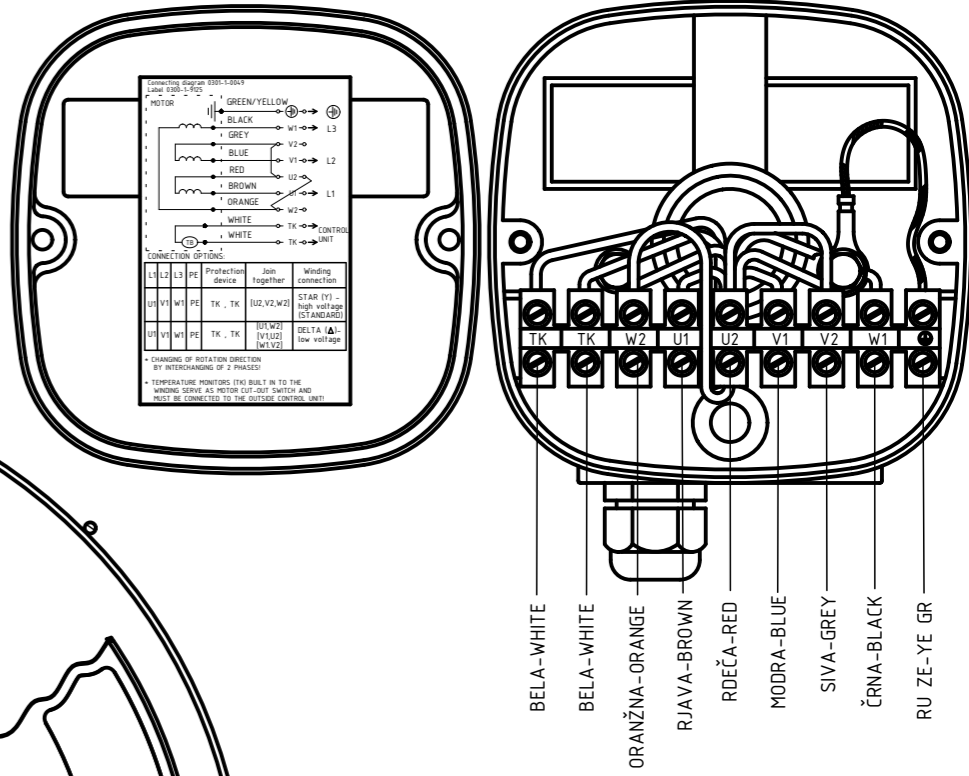
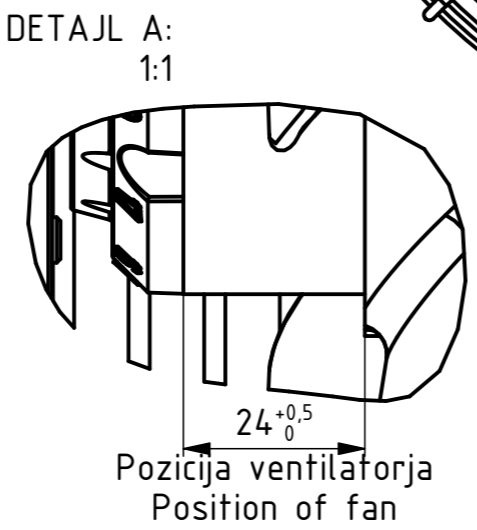
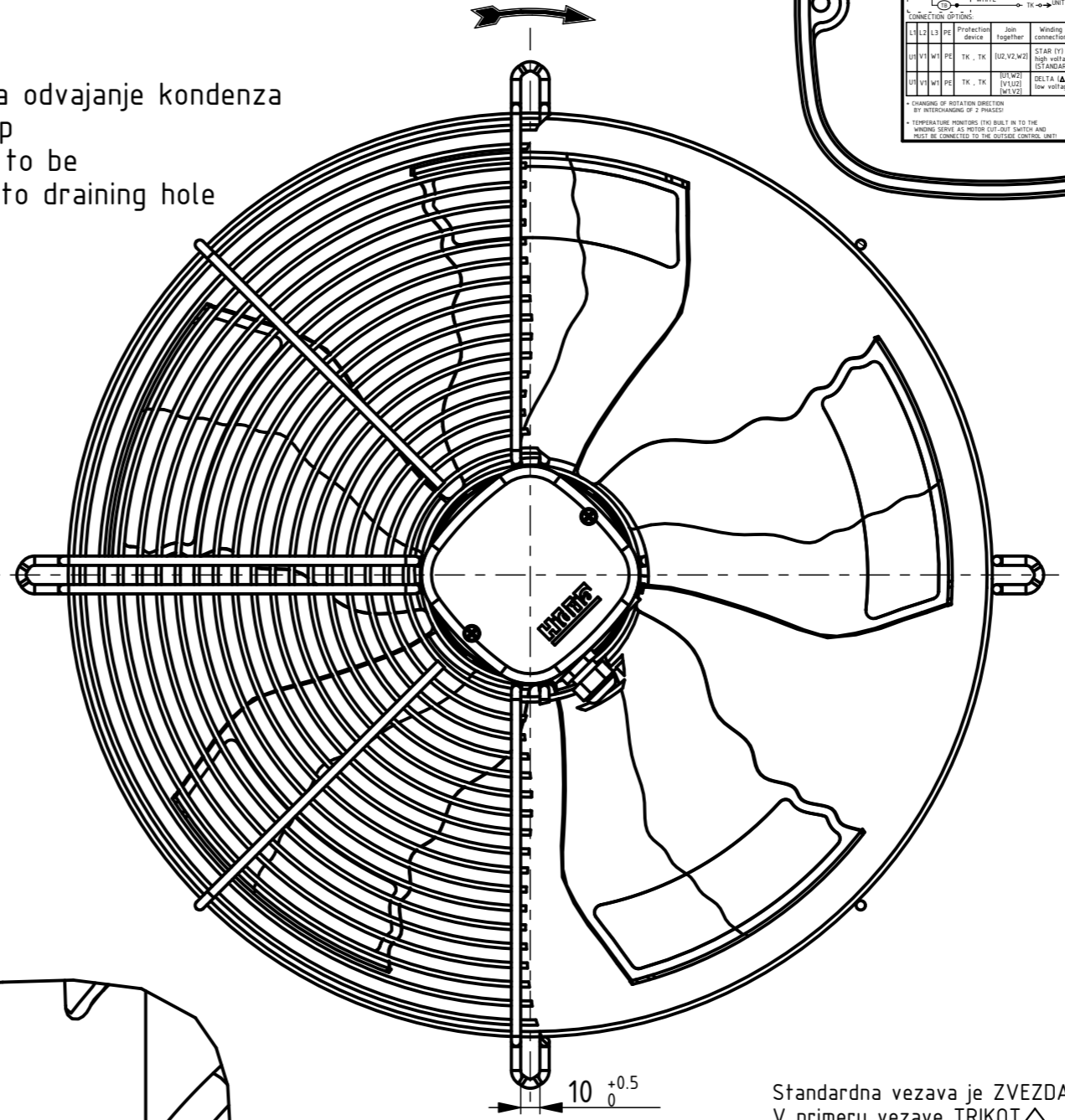


All drawings, regardless of form, are owned by Hidria Rotomatika d.o.o. and are strictly confidential and present copyright. Intellectual Property Rights as follows rights under the laws of patents, petty patents, design patents and registered designs, copyrights, trade secret rights, and similar exclusive rights in industrial property connected with the drawings are reserved by Hidria Rotomatika d.o.o.. Disclosure to any third party is strictly forbidden.

BLOWING
AIRFLOW DIRECTION
SMER ZRAKA



V luknjo za odvajanje kondenza
vstaviti čep
A tap has to be inserted into draining hole



Standardna vezava je ZVEZDA Y
V primeru vezave TRIKOT Δ
glej nalepko v pokrovu
Standard connection scheme is STARY
If required DELTA Δ see the connection diagram in the cover

DETAJL A:

Opombe:
- luknjo za kondenz na jarmu je potrebno zatesniti.
- navodilo za kontrolo ventilatorja 0301-1-4709
- checking instruction 0301-1-4709

Hidria MADE IN SLOVENIA CE C US (E172932) DATE

R11R-45LPB-4T-5755 0311-4-0369

3~Y400/D230V 50Hz 230W 0,50/0,85A 1250RPM MAX.AMB.50°C
3~Y460/D265V 60Hz 350W 0,55/0,95A 1420RPM MAX.AMB.50°C
IP54 INS.CL.155 AO
TH.PROT. ROT. ←

ErP: Effes=30,2% (A,static) N=4,2

2	D	V nalepki s podatki se spremeni podatek za max.amb. z 65°C na 50°C ter 40°C na 50°C, doda se oznako AO.	24.4.14	Uroš T.
1	C	Nalepko s podatki se uskladi z zahtevami ErP. Spremeni se verzija z AB v AC. Risba v Windchillu je skladna z risbo v arhivu.	06.05.13	Uroš T.
St.spremembe: Verzija: Opis spremembe:		Datum: Izdelal:		
Change nbr.: Revision: Description of change:		Date: Produced:		

MERIL/FORMAT 3:10 / A3

POTRjeno/Approved

Hidria

NETOLERIRANE MERE UNTOLERANCED DIM. ISO 2768-m

POVRŠINSKA OBD. SURFACE TEXTURE

MATERIAL

RISAL	DATUM	PODPIS
PROJEKTIRAL	04.05.10	Uroš K.
	04.05.10	Matej B.

NAZIV: TITILE: **VENTILATOR R11R-45LPB-4T-5755**

KODA: CODE: 0311-4-0369 0311-4-0369

VERZIJA ARTIKLA: REVISION ARTICLE: AD

LIST: SHEET: 1

OD: OF: 1