

The XCWD limit switches is a safe bet for controlling movement. It benefits from the latest developments: modularity, compactness, a very broad range of actuators.

They are designed for intensive use and a very good repeatability.

They are provided in complete assemblies or variable composition with:

- 2 or 4 electrically separate snap action contacts
- Heads that can be adjusted from 15° to 15° on 360° relative to the body
- can substitute the previous range XCWA and XCWF

TECHNICAL DATA

Material	Zamac
IP rating	IP66/67 according to EN/IEC 60529
Operating temperature	-20°C ... +60°C
Certificate	INERIS 03ATEX0083X
Marking	II 2 GD Ex d IIC T6 Gb Ex tb IIIC T85°C Db
Repeat accuracy	0.05 mm on the tripping points, with 1 million operation cycles for actuator with end plunger
Shock resistance	25 gn (18ms) according to IEC 60068-2-27
Vibration resistance	5 gn according to IEC 60068-2-27
Rated thermal current	6 A for 2 contacts according to versions, 3 A for 4 contacts
Rated insulation voltage	400 V according to IEC 60947-5-1
Contact blocks	Snap action - 1 x NC + 1 x NO or 2 x NC + 2 x NO
Resistance across terminals	≤ 25 mΩ according to IEC 60255-7 category 3
Electrical features of the contacts	<p>Switches with 2 contacts</p> <p>AC-15 ; C300 (Ue = 240 V, Ie = 1.5 A) DC-13 ; R300 (Ue = 250 V, Ie = 0.1 A)</p> <p>Switches with 4 contacts</p> <p>AC-15 ; C300 (Ue = 240 V, Ie = 0.75 A) DC-13 ; R300 (Ue = 250 V, Ie = 0.1 A)</p>

**Head with straight movement
Fixing by the body**



Actuator type	Metal end plunger		Steel roller plunger	
	2 contacts	4 contacts	2 contacts	4 contacts
1 m cable length	XCWD2110L1	XCWD4110L1	XCWD2102L1	XCWD4102L1
2 m cable length	XCWD2110L2	XCWD4110L2	XCWD2102L2	XCWD4102L2
5 m cable length	XCWD2110L5	XCWD4110L5	XCWD2102L5	XCWD4102L5
10 m cable length	XCWD2110L10	XCWD4110L10	XCWD2102L10	XCWD4102L10

**Head with straight movement
Fixing by the head**



Actuator type	Metal end plunger - M12		Steel roller plunger - M12	
	2 contacts	4 contacts	2 contacts	4 contacts
1 m cable length	XCWD21F0L1	XCWD410L1	XCWD21F2L1	XCWD41F2L1
2 m cable length	XCWD21F0L2	XCWD410L2	XCWD21F2L2	XCWD41F2L2
5 m cable length	XCWD21F0L5	XCWD410L5	XCWD21F2L5	XCWD41F2L5
10 m cable length	XCWD21F0L10	XCWD410L10	XCWD21F2L10	XCWD41F2L10

**Head with angular movement
Fixing by the body**

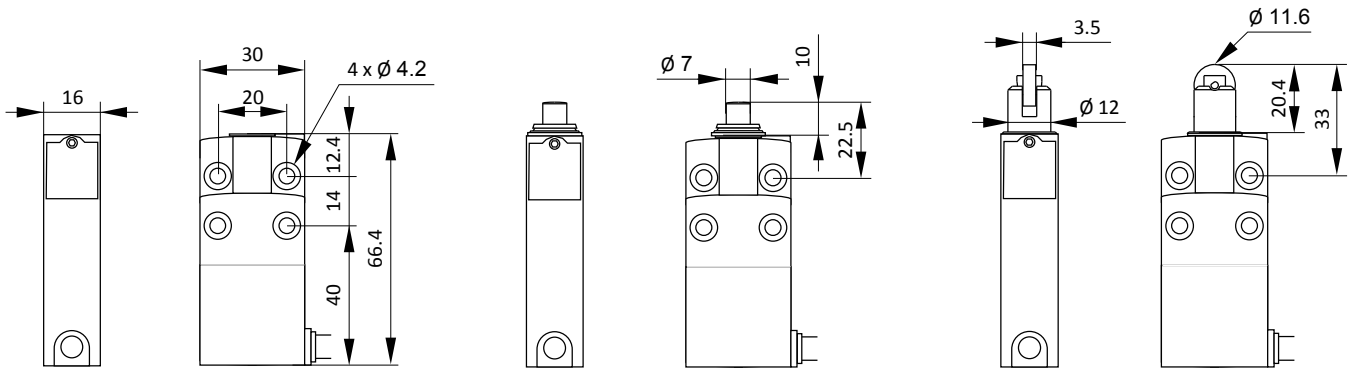




Actuator type	Thermoplastic roller lever		Steel roller lever	
	2 contacts	4 contacts	2 contacts	4 contacts
1 m cable length	XCWD2115L1	XCWD4115L1	XCWD2116L1	XCWD4116L1
2 m cable length	XCWD2115L2	XCWD4115L2	XCWD2116L2	XCWD4116L2
5 m cable length	XCWD2115L5	XCWD4115L5	XCWD2116L5	XCWD4116L5
10 m cable length	XCWD2115L10	XCWD4115L10	XCWD2116L10	XCWD4116L10

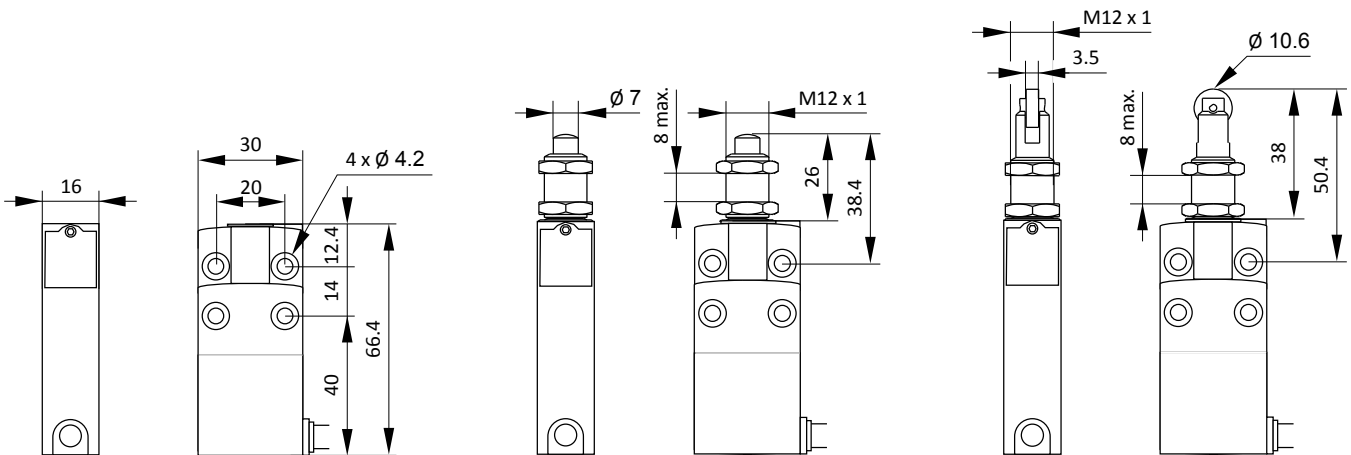
**Head with angular movement
Fixing by the body**





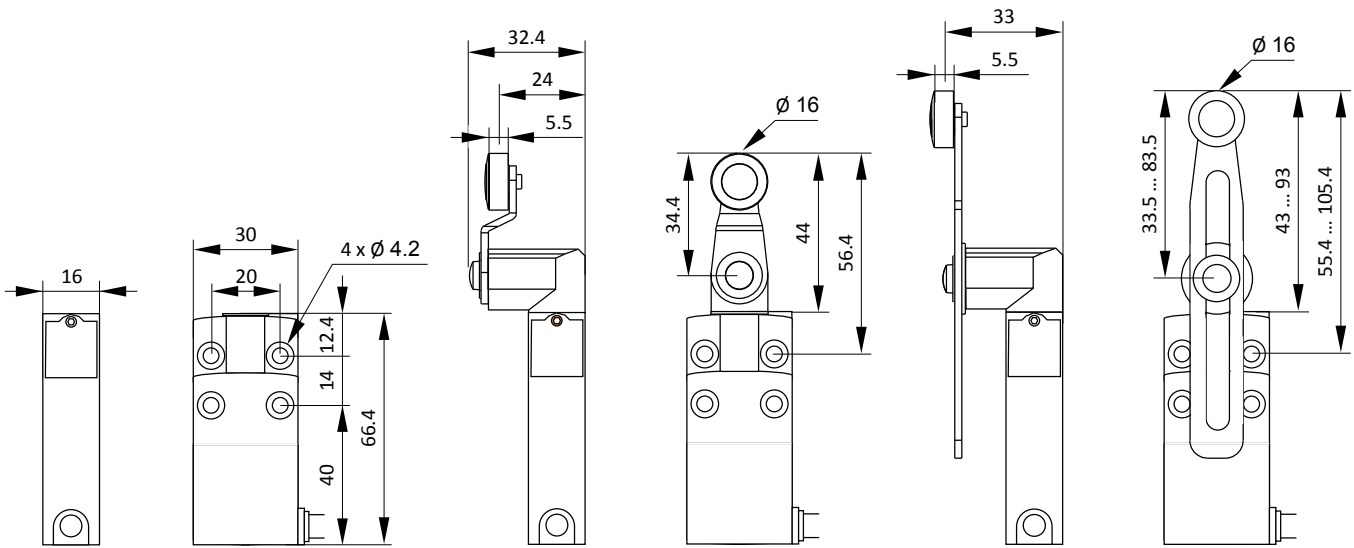
Actuator type	Lever variable length with thermoplastic roller		Lever variable length with steel roller	
	2 contacts	4 contacts	2 contacts	4 contacts
1 m cable length	XCWD2145L1	XCWD4145L1	XCWD2146L1	XCWD4146L1
2 m cable length	XCWD2145L2	XCWD4145L2	XCWD2146L2	XCWD4146L2
5 m cable length	XCWD2145L5	XCWD4145L5	XCWD2146L5	XCWD4146L5
10 m cable length	XCWD2145L10	XCWD4145L10	XCWD2146L10	XCWD4146L10





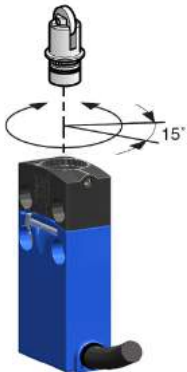
Switch actuation	On end 	By 30° cam 
Maximum actuation speed	0.5 m/s	0.5 m/s
Mechanical durability	10 million operating cycles	
Minimum force or torque	for tripping	8.5 N
	for positive opening	42.5 N
Cabling	PvR cable: 5 x 0.75 mm ² for 2-pole contact versions, 9 x 0.34 mm ² for 4-pole contact versions	



Switch actuation	On end 	By 30° cam 
Maximum actuation speed	0.5 m/s	0.1 m/s
Mechanical durability	10 million operating cycles	
Minimum force or torque	for tripping	8.5 N
	for positive opening	42.5 N
Cabling	PvR cable: 5 x 0.75 mm ² for 2-pole contact versions, 9 x 0.34 mm ² for 4-pole contact versions	

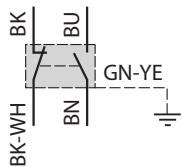


Switch actuation	By 30° cam 	By 30° cam 	
Maximum actuation speed	0.1 m/s	1.5 m/s	
Mechanical durability	10 million operating cycles		
Minimum force or torque	for tripping	7 N	0.1 N.m
	for positive opening	35 N	0.5 N.m
Cabling	PvR cable: 5 x 0.75 mm ² for 2-pole contact versions, 9 x 0.34 mm ² for 4-pole contact versions		

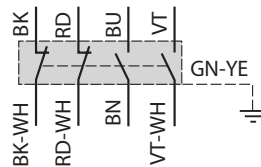


All actuators can be adjusted from 15° to 15° on 360° relative to the body

Contacts blocks

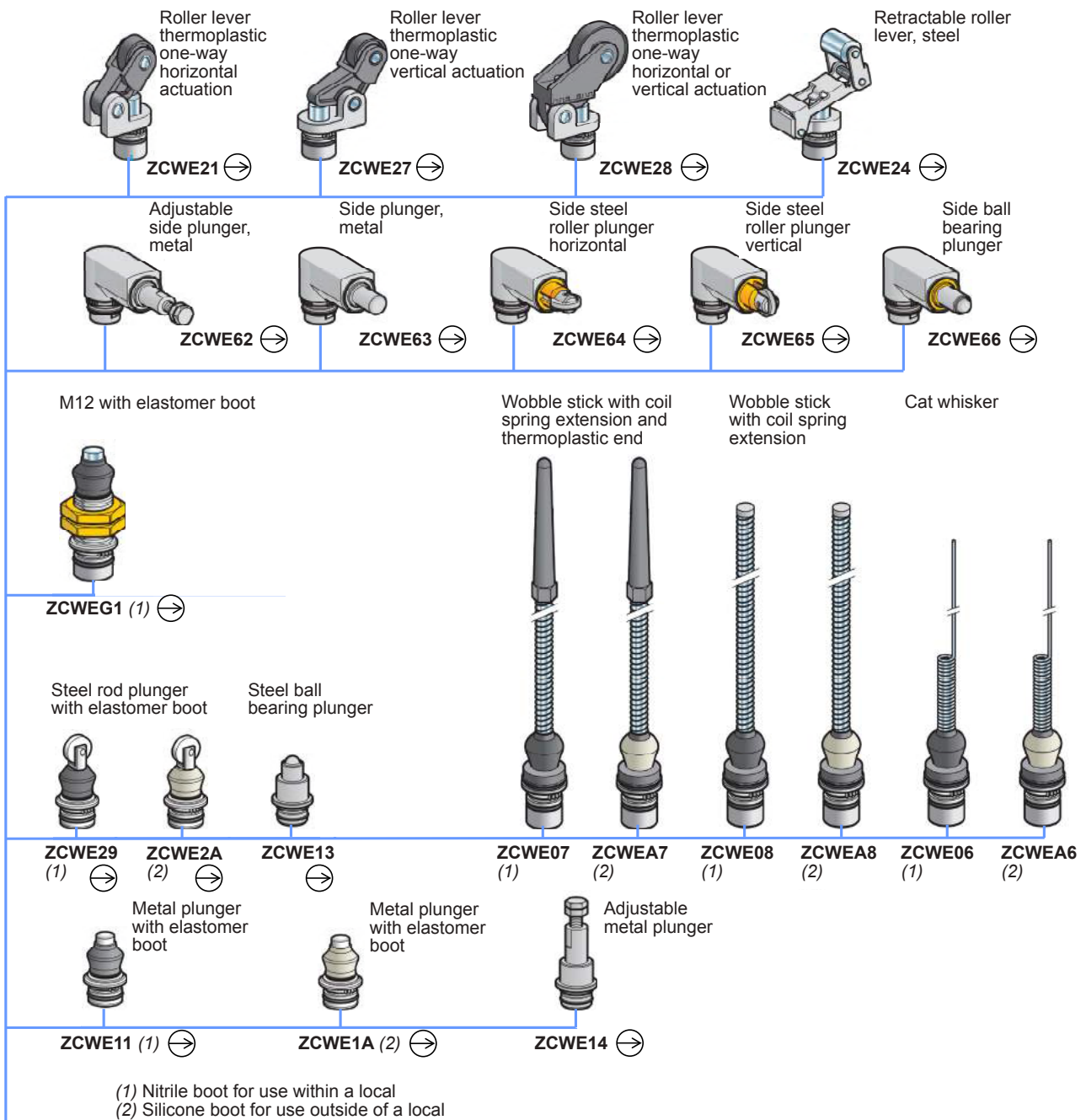


Switches with 2-pole contacts
NC + NO
snap action



Switches with 4-pole contacts
NC + NC + NO + NO
snap action

Variable components - Actuator and body unassembled



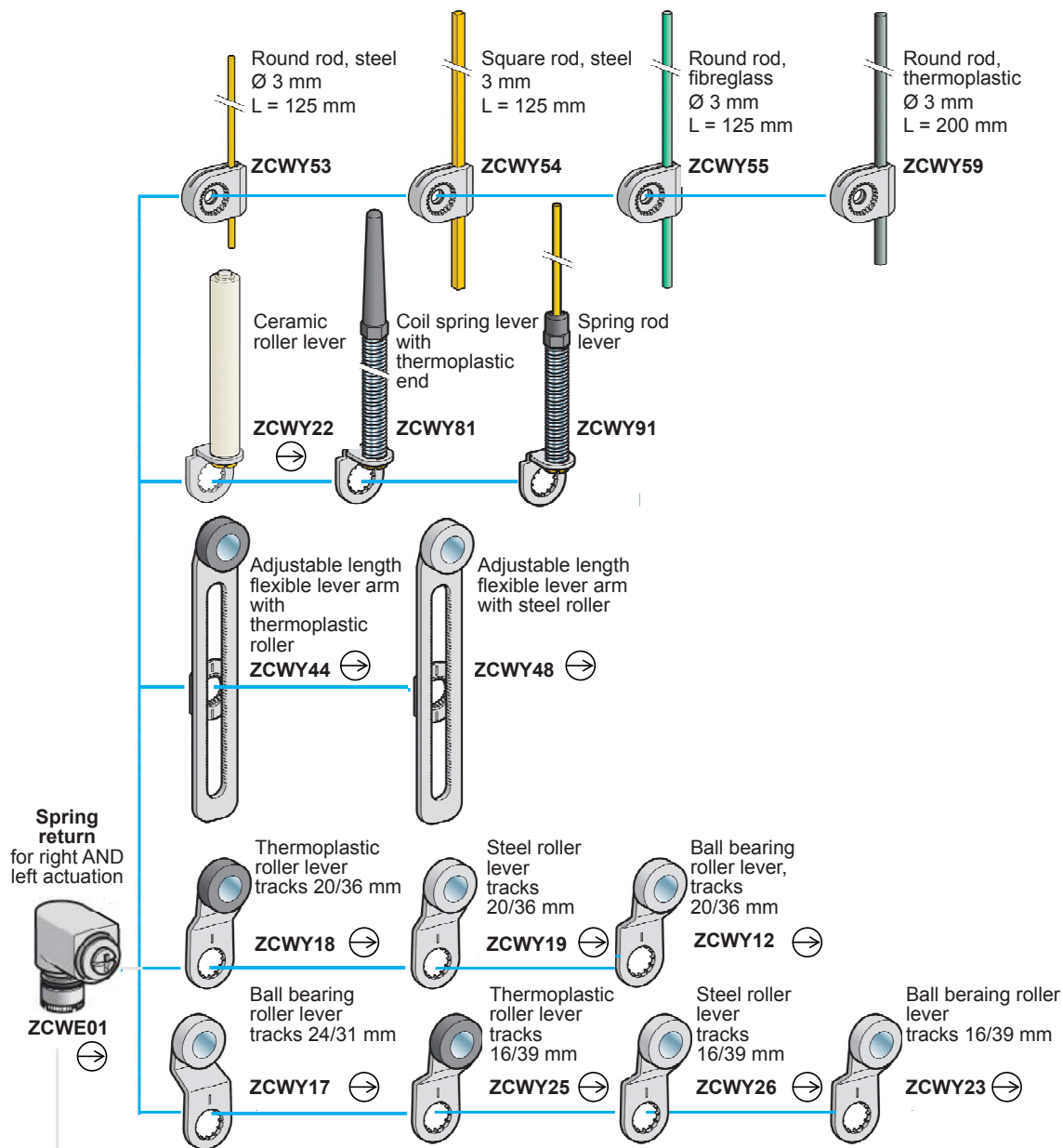
Part number of the body - When ordering specify the selected actuator

Cable length	2 contacts (1NC + 1NO)	4 contacts (2NC + 2NO)
1 m long	ZCWD21L1	ZCWD41L1
2 m long	ZCWD21L2	ZCWD41L2
5 m long	ZCWD21L5	ZCWD41L5
10 m long	ZCWD21L10	ZCWD41L10

Snap action contacts



Variable components - Actuator, head and body unassembled



Part number of the body - When ordering specify the selected actuator

Cable length	2 contacts (1NC + 1NO)	4 contacts (2NC + 2NO)
1 m long	ZCWD21L1	ZCWD41L1
2 m long	ZCWD21L2	ZCWD41L2
5 m long	ZCWD21L5	ZCWD41L5
10 m long	ZCWD21L10	ZCWD41L10

Snap action contacts

