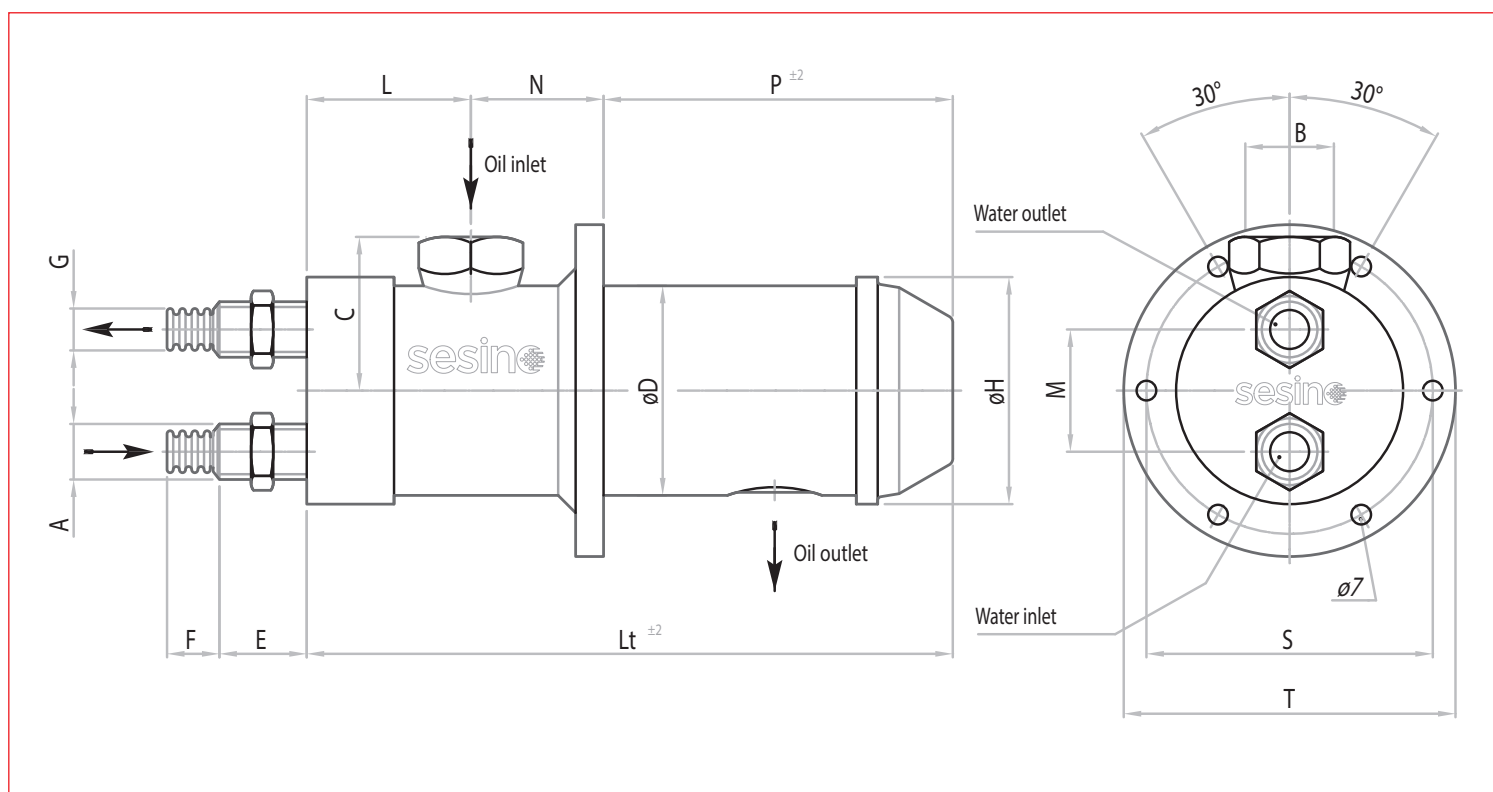


CONSTRUCTION MATERIALS		
SHELL	TUBES	END COVERS
BRASS*	COPPER*	/

*standard

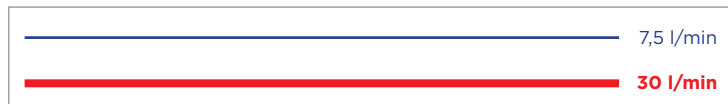
- Dimensions and technical characteristics are not binding



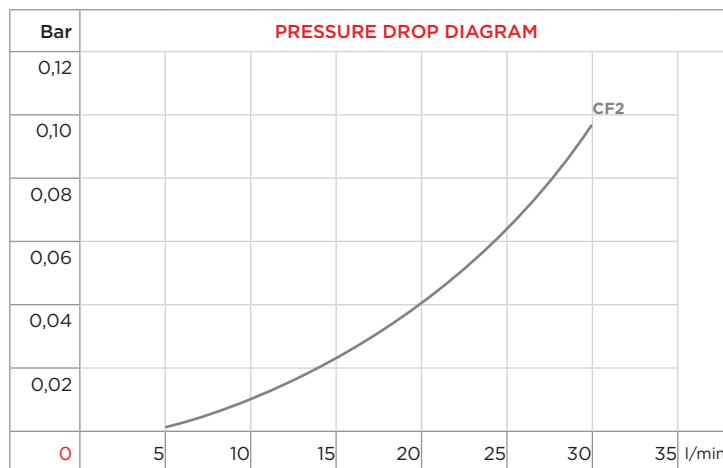
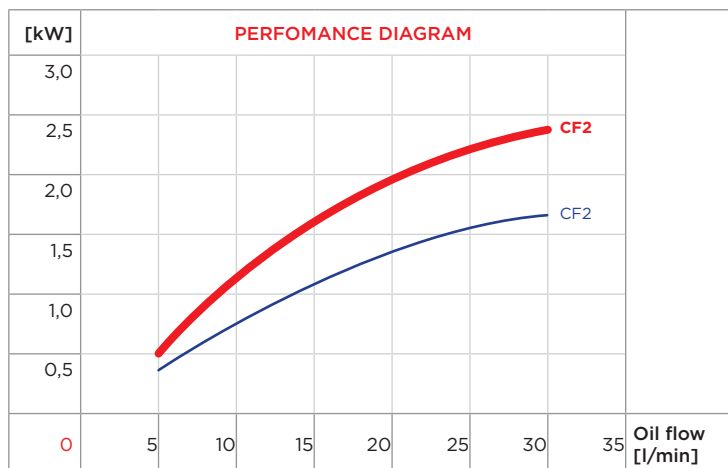
TYPE	CODE	OIL FLOW l/min	WATER FLOW l/min	kW MIN water flow		kW MAX water flow		WEIGHT kg	Lt	D	DIMENSIONS												
				ΔTm 25° C	ΔTm 25° C	ΔTm 25° C	ΔTm 25° C				A	B	H	P	G	S	T	N	M	C	L	F	E
T60 CF2	2SC60CF2	5-30	7,5 - 30	0,35	1,6	0,5	2,4	2,1	285	60	3/8" gas	1/2" gas	65	100	12	82	95	38	35	47	47	17	20



WATER FLOW RATE:



CF2



CORRECTION FACTOR

ΔT_m	10	15	20	25	30	35	40
f	2,5	1,67	1,25	1	0,83	0,71	0,63

CORRECTION FACTOR

cSt	22	30	46	68	100	150	220
f	0,4	0,6	1	1,5	2,3	3,3	4,6