
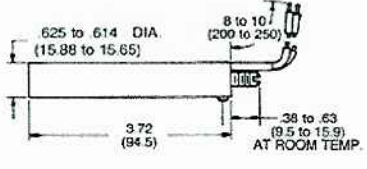

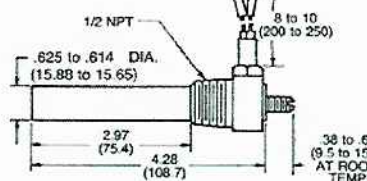

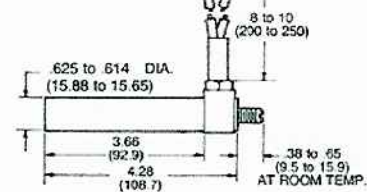

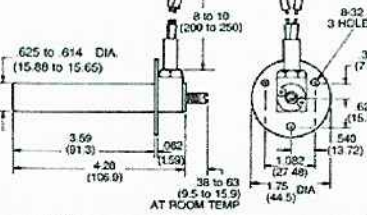

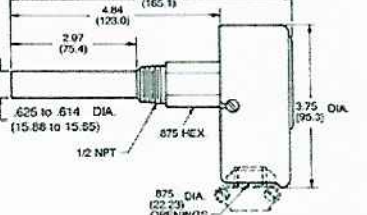

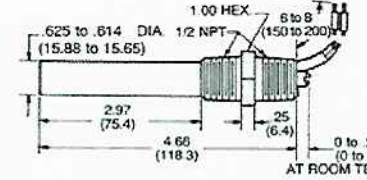


THERMOSWITCH® Controllers

THERMOSWITCH UNIT TYPE	DIMENSIONS	DESCRIPTION	CATALOG NUMBER
 <p>CARTRIDGE (Series 17000)</p>	 <p>625 to .614 DIA. (15.88 to 15.65) 3.72 (94.5) 8 to 10 (200 to 250) 38 to .63 (9.5 to 15.9) AT ROOM TEMP.</p>	<p>The basic element of all THERMOSWITCH® controllers. Has all the desirable features of the ideal thermostat - high sensitivity, wide adjustment range, small size, rugged construction, vibration resistance, and low cost. The unit can be inserted into a .625 in (15.88 mm) reamed hole. Approximate weight is 2.5 ounces (70 grams).</p>	<p>4 01-017000-000 4 01-017021-000 4 01-017002-000 4 01-017023-000</p>
 <p>HEX HEAD (Series 17100)</p>	 <p>1/2 NPT 625 to .614 DIA. (15.88 to 15.65) 2.97 (75.4) 4.28 (108.7) 8 to 10 (200 to 250) 38 to .63 (9.5 to 15.9) AT ROOM TEMP.</p>	<p>Has all the features of the Cartridge Type plus the addition of a pipe thread for mounting. Approximate weight is 5 ounces (140 grams).</p>	<p>4 01-017100-000 4 01-017121-000 4 01-017102-000 4 01-017123-000</p>
 <p>BLOCK HEAD (Series 17200)</p>	 <p>625 to .614 DIA. (15.88 to 15.65) 3.66 (92.9) 4.28 (108.7) 8 to 10 (200 to 250) 38 to .63 (9.5 to 15.9) AT ROOM TEMP.</p>	<p>This unit has the same mounting as the Cartridge Type but is designed so modifications may be included. It also can be inserted into a .625 in (15.88 mm) reamed hole. Approximate weight is 3 ounces (84 grams).</p>	<p>4 01-017200-000 01-017221-000 4 01-017202-000 01-017223-000</p>
 <p>FLANGE HEAD (Series 17300)</p>	 <p>625 to .614 DIA. (15.88 to 15.65) 3.69 (91.3) 4.20 (106.9) 8 to 10 (200 to 250) 38 to .63 (9.5 to 15.9) AT ROOM TEMP. 8-32 3 HOLES .312 (7.92) 1.540 (39.12) 1.982 (50.48) 1.75 DIA (44.5)</p>	<p>Has all the features of the Block Head Type except a mounting flange has been provided. Approximate weight is 4 ounces (112 grams).</p>	<p>4 01-017300-000 4 01-017321-000 4 01-017302-000 01-017323-000</p>
 <p>JUNCTION BOX IMMERSION (Series 17800)</p>	 <p>6.50 (165.1) 4.84 (123.0) 2.97 (75.4) 625 to .614 DIA. (15.88 to 15.65) 1/2 NPT .875 HEX 3.75 DIA. (95.2) .875 DIA. (22.23) OPENINGS</p>	<p>Has electric conduit junction box containing terminal block and temperature adjusting dial and knob. Extended hexagonal section with pipe thread permits easy mounting into tapped hole of boss, immersing shell into fluid medium to be controlled.</p>	<p>4 01-017800-000 4 01-017821-000 4 01-017802-000 01-017823-000</p>
 <p>COUPLING HEAD (Series 18000)</p>	 <p>625 to .614 DIA. (15.88 to 15.65) 2.97 (75.4) 4.66 (118.3) 1.00 HEX 1/2 NPT 8 to 8 (150 to 200) 25 (6.4) 0 to 25 (0 to 6) AT ROOM TEMP.</p>	<p>The Coupling Head Type has a hexagonal mounting section with pipe threads at each end. This unit may be directly attached to electrical conduit. Approximate weight is 5 ounces (140 grams).</p>	<p>4 01-018000-000 4 01-018021-000 4 01-018002-000 4 01-018023-000</p>

inch
(mm)

4 = Normally Stocked