

ITP14/ITP14-G

Universal process display

The ITP14 is a universally-applicable process display for monitoring and control of industrial processes. This display features a current/voltage input and an NPN transistor output. The input can be set either for current signals (4-20 mA, 0-20 mA, 0-5 mA) or for voltage signals (0-10 V or 2-10 V). The NPN transistor out-put makes it possible to implement on-off control with a low voltage relay up to 42 V DC / 200 mA.

This device has a compact, standardised design and fits into a standard 22.5 mm borehole. This provides quick and easy installation and many displays can be accommodated in a control cabinet door or on a panel.

Functions and features:

- Analog input 0-5 mA, 0(4)-20 mA, 0(2)-10 V
- Measuring and displaying of a process value
- Adjustable decimal point position
- Signal scaling Display range of -999...+9999
- ON/OFF control with NPN output
- Square root function (for special transmitters)
- Digital filter
- Alarm function
- Error indication when the input signal is out of range
- Error indication when wire break or short circuit



Available with RED or GREEN display color

Standard variants	Description	Enclosure
ITP14	ITP14 with red display color	48 x 26 x 65 mm Panel mount
ITP14-G	ITP14 with green display color	48 x 26 x 65 mm Panel mount



- Display color
- 1 Analog input for mA and V signals
- 1 Digital output with NPN type
- Powered by 24 V DC
- Easy mounting in Ø 22.5 mm borehole
- Save time for installation
- Compact size
- Can be installed in a push-button box
- Accuracy 0.2%
- IP Code
- Ambient temperature

ITP14/ITP14-G

Universal process display

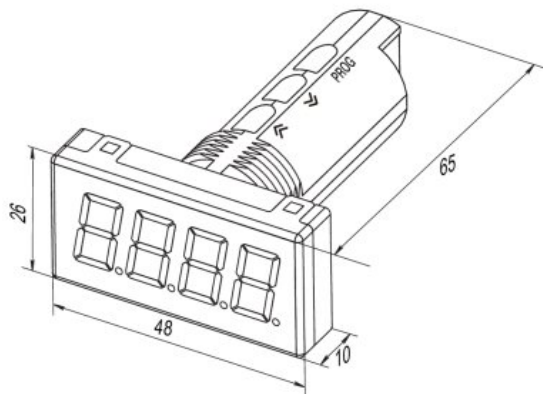
Areas of application:

The universal display ITP14 is particularly suitable for the fast and easy installation of visual display systems for various processes, such as water supply, thermal processing, and many other. The ITP14's compact size ensures that it can be used on-site as an additional display unit for measurement values or as part of a complex visual display system.

Technical Data:

Power supply	24 (10...30) V DC	24 (10...30) V DC
Power consumption, max.		1 W
Inputs		1
Input signal		0-5 mA, 0(4)-20 mA, 0(2)-10 V
	Sampling time	0.3 s
	Accuracy	$\pm (0.2\% \text{ FS} + 1 \text{ digit})$
	Temperature influence	$\leq 0.2\% / 10 \text{ }^\circ\text{C}$
	Input resistance	0-5 mA, 0(4)-20 mA $\leq 120 \text{ ohm}$ / 0(2)-10 V $\geq 250 \text{ kohm}$
Outputs		1
	Type	NPN transistor
	Loading capacity	200 mA, 42 V DC
Display colour		red or green
IP Code		front IP65, rear IP20
Dimensions		48 x 26 x 65 mm
Weight		approx. 30 g
Protection class		III
Ambient temperature		-40...+60 $^\circ\text{C}$
Storage temperature		-25...+55 $^\circ\text{C}$
Humidity		up to 80% (non-condensing)

Dimensions:



Electrical connection:

