



Bladder accumulator series EHV – CE

Construction

Bladder accumulator with hydraulic valve, pressure vessel of forged steel, seamless, heavy duty gas inlet valve, detachable.

Charge pressure PO

Between 0,9 P1 and 0,2 P2
Other pressure ratios on request.

Temperature range

Standard model -20 °C to +80 °C
Other ranges on request.

Volumetric flow Q

The max. values given in the selection table apply only for a vertical installation (hydraulic assembly downwards).
Use Series DA accumulators for higher volumetric flows.

Hydraulic fluids

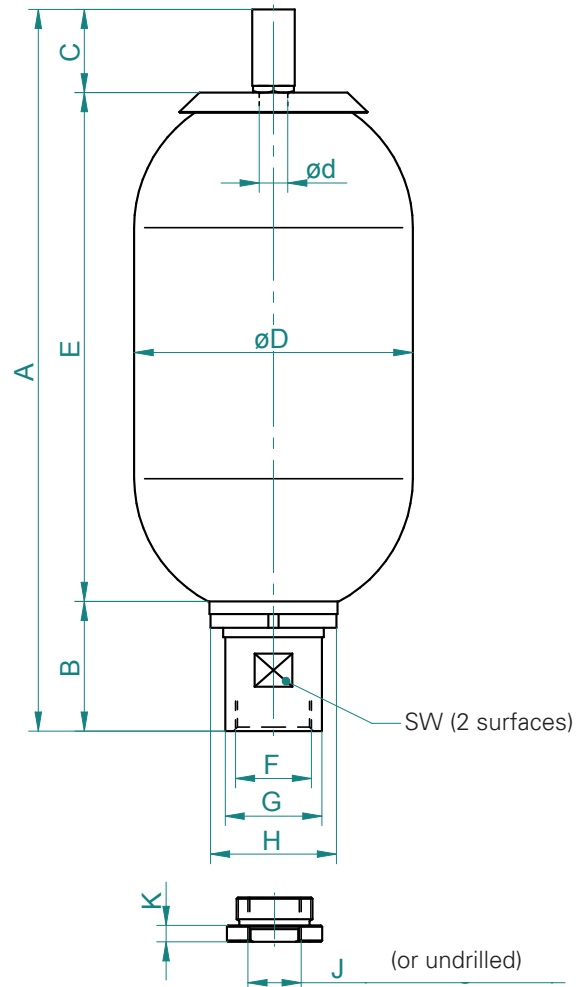
Hydraulic oil (mineral oil)
Other mediums, such as biodegradable hydraulic oil, non-flammable liquids, water, emulsions, fuels, ect. should be specified at the time of ordering.

Installation

Vertical (hydraulic assembly downwards) to horizontal.
Leave a space of 200 mm free above the gas inlet valve for attaching the tester and pressurizer instrument.

Method of mounting

Clamps and brackets with rubber core, or mounting set, see data sheet OSP 775 and OSP 780 "Accumulator-Accessories".



Model	Gasvol. V0 liter	Work pressure bar	Weight kg	Q max. l/min	Dimensions in mm												
					A	B	C	ø D	ø d	E	F	ø G	ø H	SW	J	K	
EHV 0,2 – 350 / 00 *	0,17	350	2,5	120	266	38	29	58	16	199	G ½"	27	38	24	G ¼"	8	
EHV 0,5 – 350 / 00 *	0,6	350	3,0	240	258	54	28	91	16	176	G ¾"	36	50	32	G 3/8"	8	
EHV 1 – 350 / 90 *	1	350	6,0	240	326	54	65	115	22	207	G ¾"	36	50	32	G 3/8"	8	
EHV 1,6 – 350 / 90	1,6	350	8,0	240	396	54	65	115	22	315	G ¾"	36	50	32	G 3/8"	8	
EHV 2,5 – 350 / 90	2,4	350	11	450	546	66	65	115	22	415	G 1¼"	53	68	50	G ¾"	10	
EHV 4 – 350 / 90	3,7	350	15	450	401	65	35	170	22	301	G 1¼"	53	68	50	G ¾"	10	
EHV 5 – 350 / 90	5	350	17	450	895	66	65	115	22	764	G 1¼"	53	68	50	G ¾"	10	
EHV 6 – 350 / 90	6	350	20	450	557	65	65	170	22	427	G 1¼"	53	68	50	G ¾"	10	
EHV 10 – 350 / 90 - L	10	350	31	450	822	65	65	170	22	692	G 1¼"	53	68	50	G ¾"	10	
EHV 10 – 330 / 90 - K	9,2	330	31	900	583	103	65	222	22	415	G 2"	76	101	70	G 1"	13	
EHV 12 – 330 / 90	11	330	36	900	683	103	65	222	22	515	G 2"	76	101	70	G 1"	13	
EHV 20 – 330 / 90	17,8	330	49	900	893	103	65	222	22	725	G 2"	76	101	70	G 1"	13	
EHV 24 – 330 / 90	22,5	330	56	900	1028	103	65	222	22	860	G 2"	76	101	70	G 1"	13	
EHV 32 – 330 / 90	32	330	81	900	1418	103	65	222	22	1250	G 2"	76	101	70	G 1"	13	
EHV 42 – 330 / 90	42	330	87	900	1562	103	65	222	22	1394	G 2"	76	101	70	G 1"	13	
EHV 50 – 330 / 90	48,5	330	110	900	1939	103	65	222	22	1766	G 2"	76	101	70	G 1"	13	
EHV 57 – 330 / 90	53	330	116	900	2032	103	65	222	22	1864	G 2"	76	101	70	G 1"	13	

Spare parts lists

Models: EHV 0,2 – EHV 57 liter

Pos.	Part
1	Bladder assembly ød*
2	Bladder
3	Gas inlet valve assembly
4	Valve cap and gasket
5	Gas inlet valve and gasket
6	Nut
7	Protective cap
8	Hydraulic valve sub-assembly complete
9	Anti-extrusions ring / retention washer
10	Gland ring
11	Ring nut
12	Hydraulic valve sub-assembly
13	Gasket assembly (contains all gaskets)
14	Flat seal
15	O-ring
16	O-ring
17	Retaining ring
18	O-ring

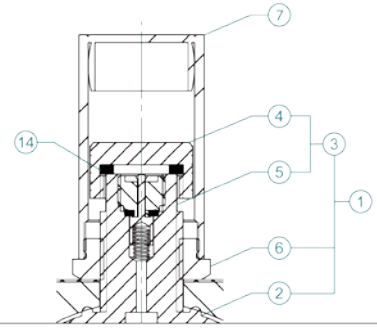
Important informations

- Certification: EHV series accumulators are manufactured, tested and documented according to the pressure equipment directive 2014/68/EC. Other certifications on demand.
- The technical data on the manufacturer's nameplate must be indicated on the order.
- The accumulator shell is not available as a spare part.
- Quality code used for the bladder.
- * ød should be specified at the time of ordering.

Example:

d = ø 16 mm EHV 0,2 and EHV ,
d = ø 22 mm EHV 1 to EHV 57

Models: EHV 0,2 – EHV 10-L liter



Models: EHV 10-K – EHV 57 liter

