

AP 430 E

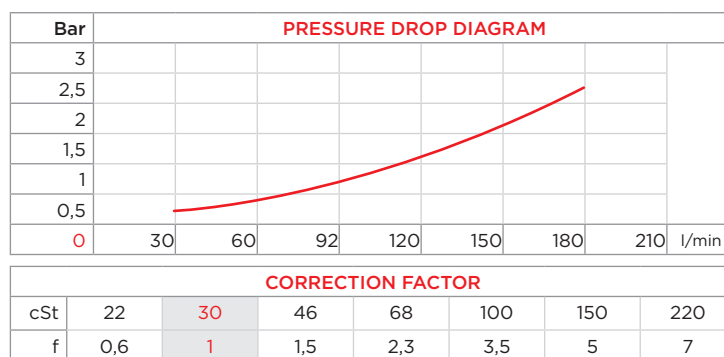
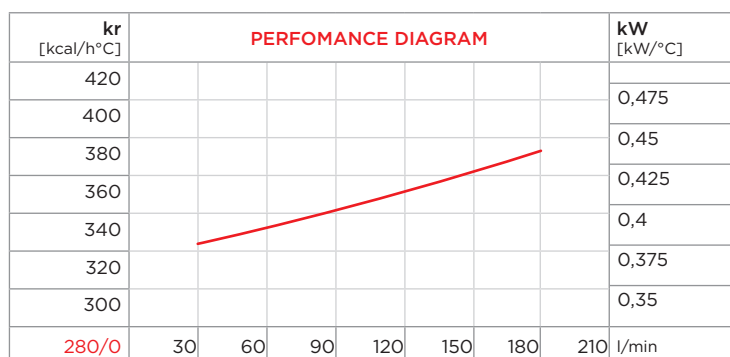
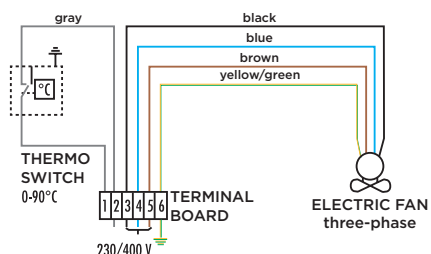


PURCHASE CODES

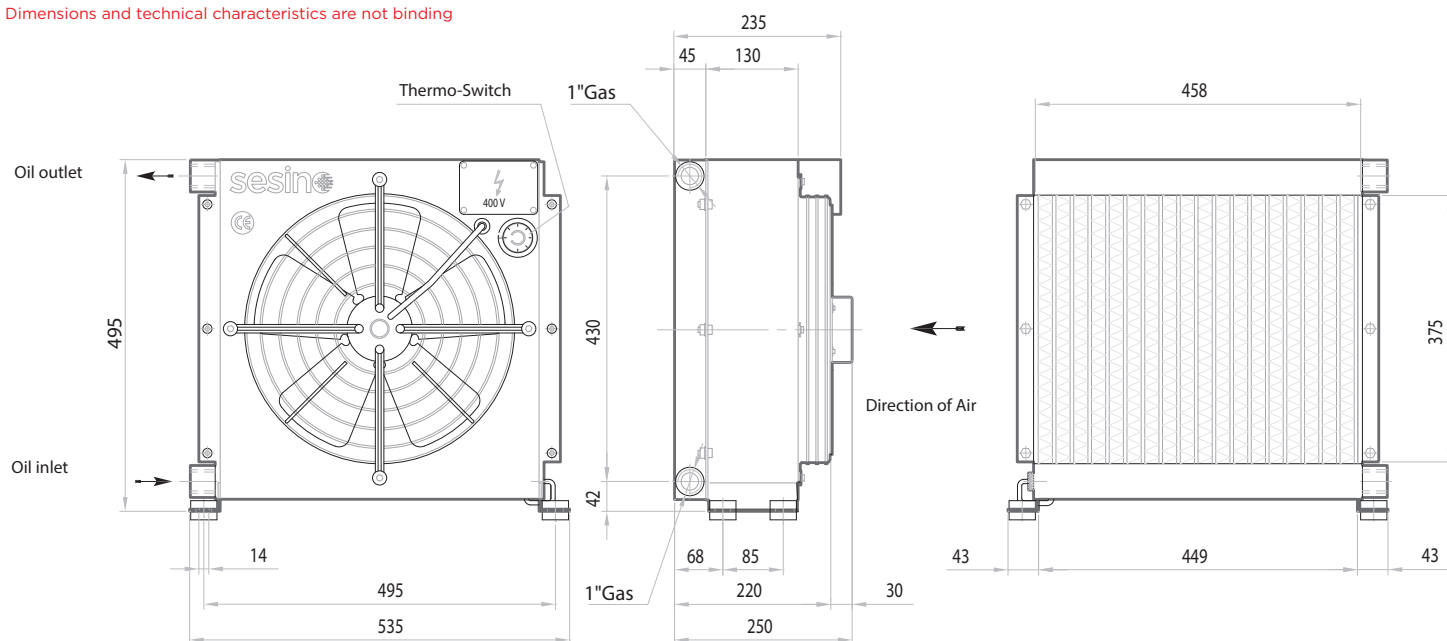
AP 430 E three-phase 3RAP430

SPARE PARTS

Cooling element	3RNAP430E
Frame	1430CNV
Adjustable thermo-switch	1TRM0-90
Shock isolating mounting (4 pcs)	3KIT4511
Electric Fan for 3RAP430	1VNELCO43038DV
Electric junction box for 3RAP430	1CSSDSAREL



- Dimensions and technical characteristics are not binding



OIL FLOW	CAPACITY	VOLTAGE	FREQUENCY	POWER	CURRENT	AIR FLOW	PROTECTION	NOISE LEVEL	WEIGHT	Ø FAN
l/min	l	V	hz	W	A	m³/h	IP	dB(A)	kg	mm
30-180	3,6	Δ 230 Y 400	50	110/205	0,67/0,39	2.750	55	73	18	350
30-180	3,6	Δ 265 Y 460	60	110/200	0,57/0,33	2.750	55	73	18	350