



Winkelstück

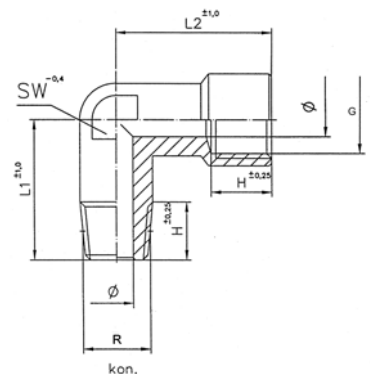
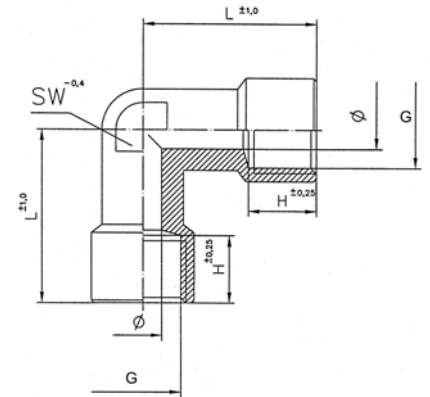
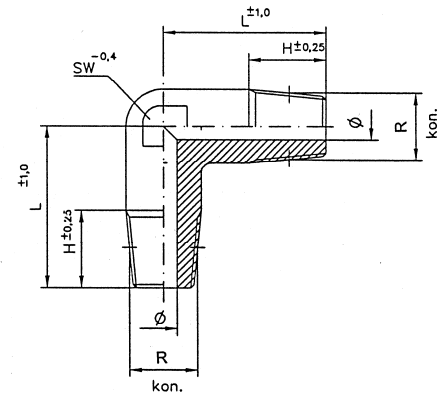
Messing blank
Messing vernickelt

MS 58

253.xx

150 °C max.

Art-Nr. ⁽²⁾	Gewinde	Maße					
		Ø	Betr.- Druck (bar)	H	L	SW	
	zyl. (DIN EN ISO 228-1) kon. (DIN 2999)						
	a / a						
253.00	R 1/8	6,0	60	11,0	18,5	10	
253.01	R 1/4	8,0	60	12,0	23,5	13	
253.02	R 3/8	11,0	60	13,0	26,0	17	
253.03	R 1/2	15,0	60	15,0	31,0	21	
253.04	R 3/4	19,0	60	16,0	33,0	25	
253.05	R 1	24,0	60	18,0	39,0	30	
	i / i						
253.11	G 1/8	6,0	60	10,0	21,0	10	
253.12	G 1/4	8,0	60	14,0	25,5	13	
253.13	G 3/8	11,0	60	14,0	28,0	17	
253.14	G 1/2	15,0	60	16,0	33,5	21	
253.32	G 3/4	19,0	60	17,5	36,5	25	
253.33	G 1	24,0	60	21,1	45,0	30	
	i / a				L ₁	L ₂	
253.15	G/R 1/8	6,0	60	11,0	18,5	21,0	10
253.16	G/R 1/4	8,0	60	13,0	23,5	25,5	13
253.17	G/R 3/8	11,0	60	14,0	26,0	28,0	17
253.18	G/R 1/2	15,0	60	16,0	31,0	33,5	21
253.19	G/R 3/4	19,0	60	17,5	33,0	36,5	25
253.20	G/R 1	24,0	60	20,0	39,0	45,0	30



(2) Nickel mit Vorsatz >N< bestellen