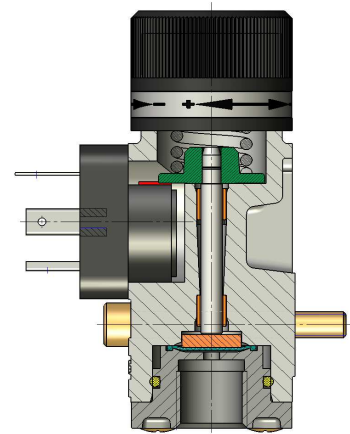

Features

With the Pressure Switches Series PDS pneumatic (hydraulic) signals are changed into electrical signals. The switching point is fully adjustable by means of a simple adjusting knob within the operating pressure range (see Technical Data → Operating Pressure Range).

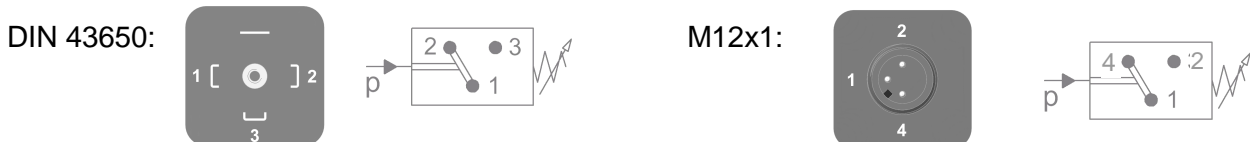
The built-in micro switch can be used to open, close or change the circuit.

The pressure switches are intended for use under normal industrial conditions. Models for use in special environmental conditions, as well as other special setting requirements are available on request.

Sockets with or without LEDs can be supplied as accessories.



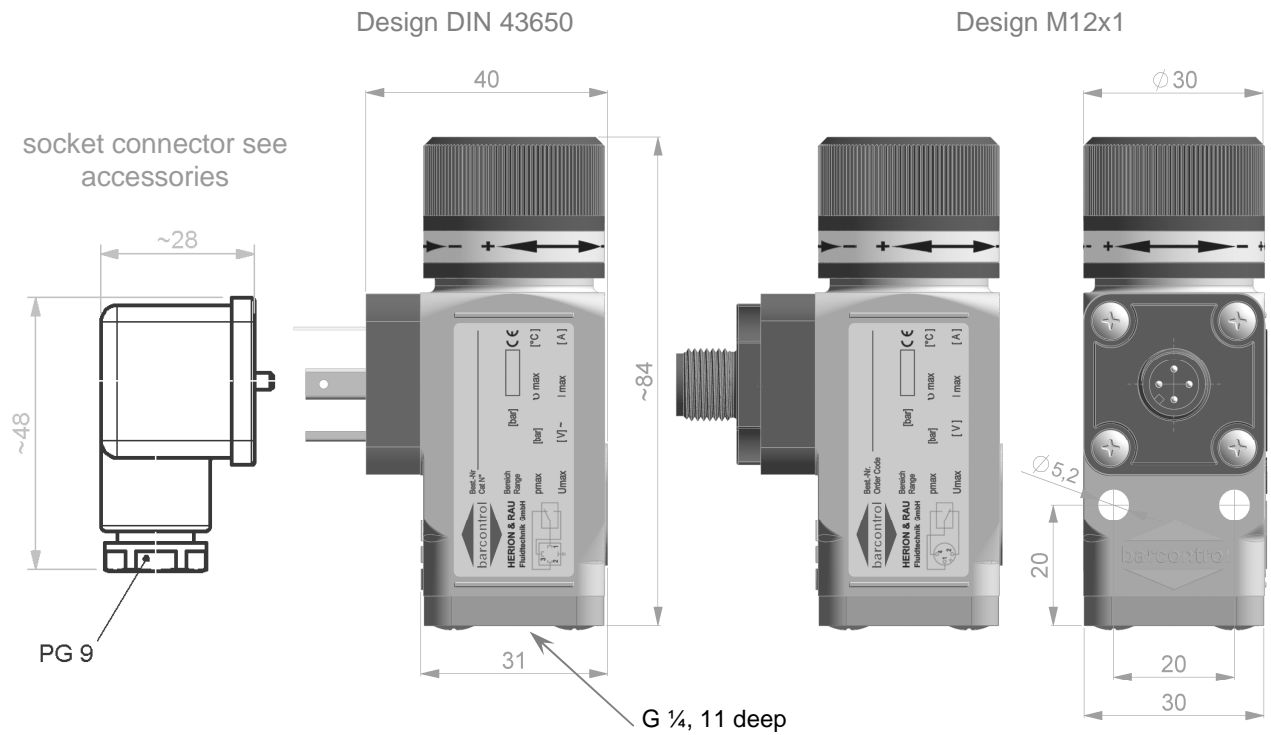
Contact Arrangement / Circuit Symbols



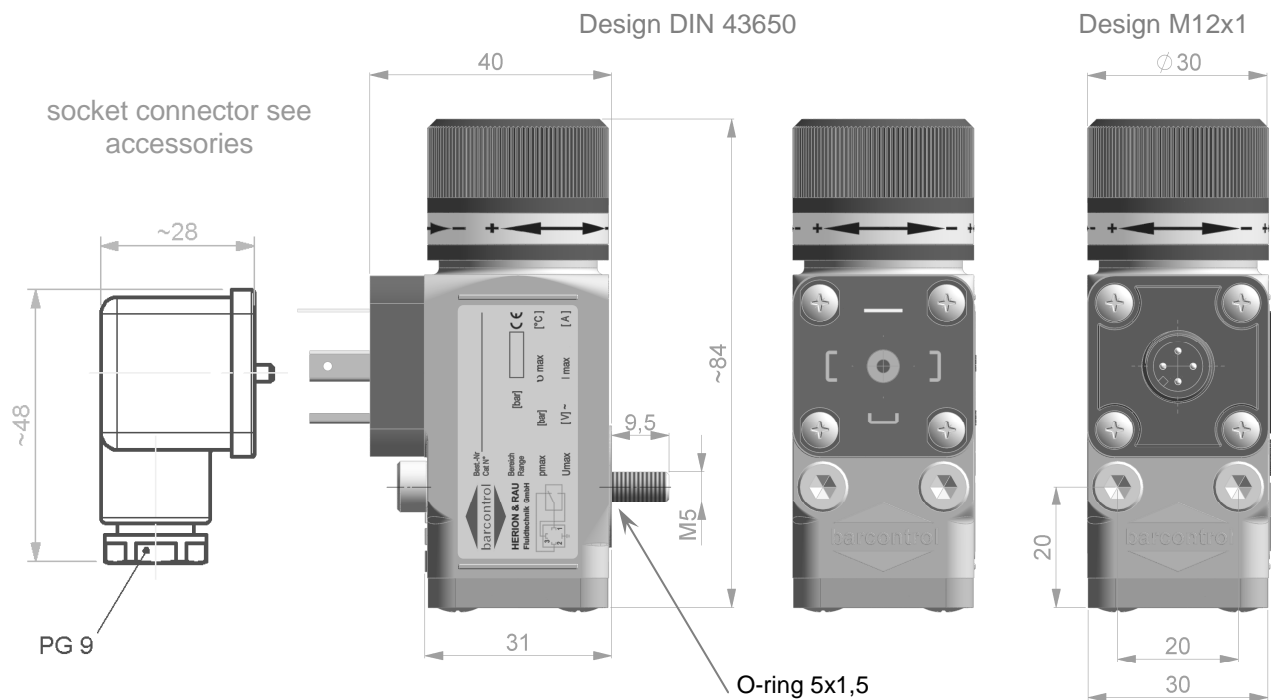
Technical Data

| | |
|--------------------------------|---|
| Fluid: | Neutral gaseous and liquid fluids |
| Mounting holes: | 2 through-holes in housing, Ø5,2mm |
| Fluid Connection: | G1/4", Flange |
| Mounting position: | optional |
| Operating pressure range: | 0,2...2 bar ; 0,5...8 bar ; 1...16 bar |
| Repeatability: | ±2% of operating range maximum value |
| Switching pressure difference: | see diagram switching pressure difference at page 4 |
| Max. switching frequency: | 200/min |
| Temperature range: | -10°C bis +80°C |
| Vibration resistance: | 10g (10 ... 2000Hz) |
| Shock resistance: | 30g |
| Electrical connection: | According to DIN 43650, Type A (EN175301-803, ISO 4400); M12x1 |
| Switching element: | Spring-snap switcher with self-cleaning contacts |
| Operating voltage at | AC12: VDE0660 (EN60947): 4A at 250 VAC |
| Operating category : | AC14: VDE0660 (EN60947): 1A at 250 VAC |
| | DC12: VDE0660 (EN60947): 3A at 28 VDC |
| | DC14: VDE0660 (EN60947): 1A at 28 VDC |
| CE-Certification: | Acc. to EU-Standard 73/23/EWG |
| Degree of protection: | IP65; M12x1: IP67 |
| Material: | Housing: Zinc pressure die-cast; Adjustment knob: Aluminium powder-coated; Seals/Diaphragm: NBR |
| Weight: | 0,295 kg |

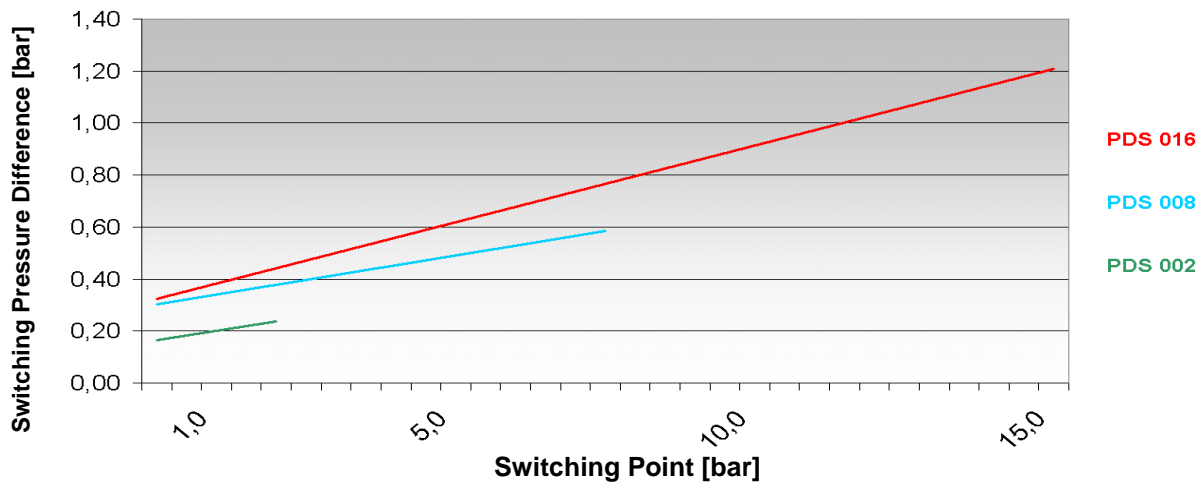
Fluid Connection: G 1/4"



Fluid Connection: Flange

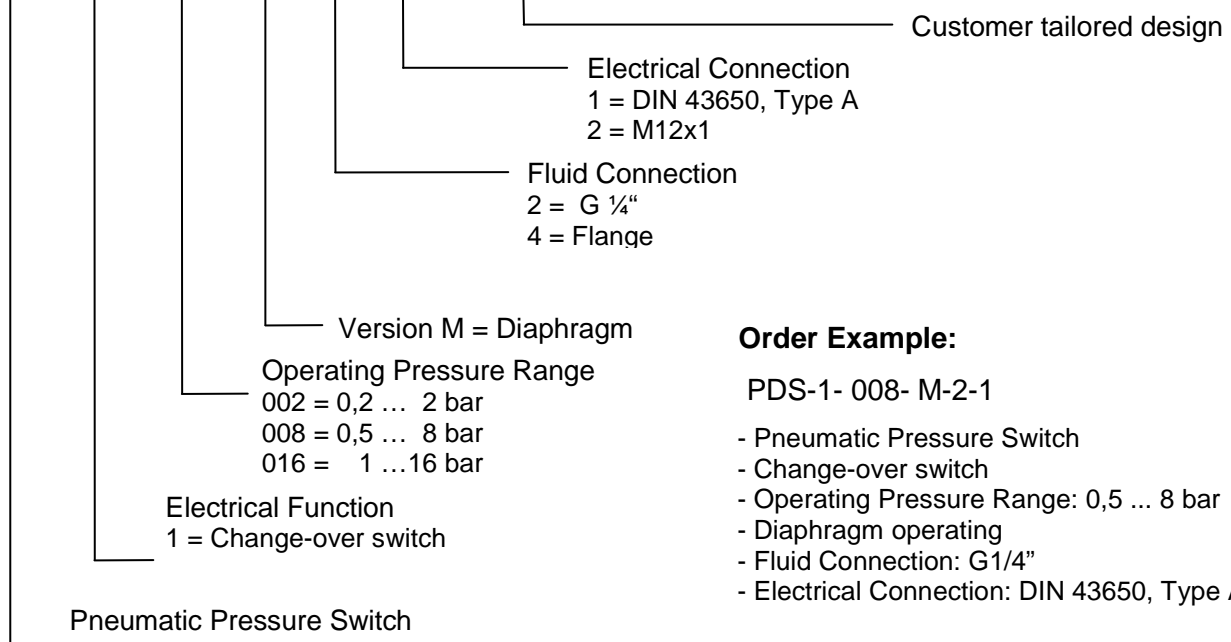


Switching Pressure Difference



Order Code

PDS - 1 - XXX - M - X - X - GE XXX



Accessories

| | |
|---|---------------------|
| Standard Socket, DIN 43650 Type A, ISO 4400 | order number 11 000 |
| 28V Socket with 2 LEDs, DIN 43650 | order number 11 001 |
| 110V Socket with 2 LEDs, DIN 43650 | order number 11 002 |
| 230V Socket with 2 LEDs, DIN 43650 | order number 11 003 |
| Socket with cable (L=1,5m), 4-pole, straight, for M12x1 | order number 11 041 |

Specifications are subject to change without notice