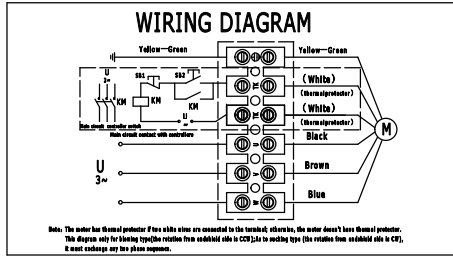


DRAWING NO

Wiring diagrams:



ErP2015 LABEL:

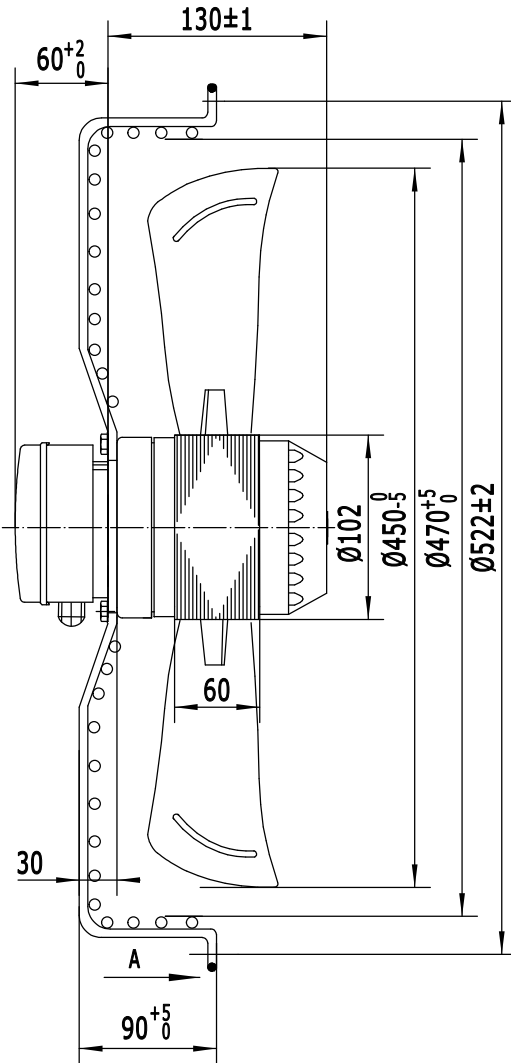
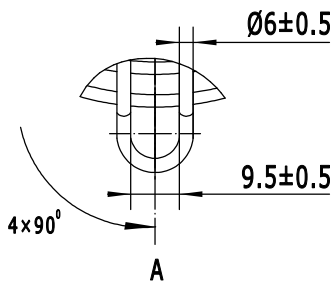
ErP2015 (N40)
 N=44.11 η_{statA} = 34.4%
 YWF4D-450S-P102/60

LABEL:

WEIGUANG Axial Fan Motor
 YWF4D-450S
 P102/60-G

380V 50Hz 0.55A 180/250W
 1350r/min CL.B XX/XX

CE



WEIGUANG Axial fan motor

HANGZHOU WEIGUANG ELECTRONIC CO.,LTD

Unit: axial fan motor

Type:

Motor: Three phases motor

Customer:

Motor type:YWF4D-450S-P102/60-G

Customer-type:

TYPE	Voltage v	Frequency Hz	Input power W	Current A	Speed r/min +/-5%	Air volume m ³ /h	noise level dBA	capacitor μ F/ VDB
YWF4D-450S-P102/60-G	380	50	250	0.55	1350	5081(20Pa)	69	/

Insulation class : B

Operating type: S₁

Permissible ambient temperature : -30~60°C

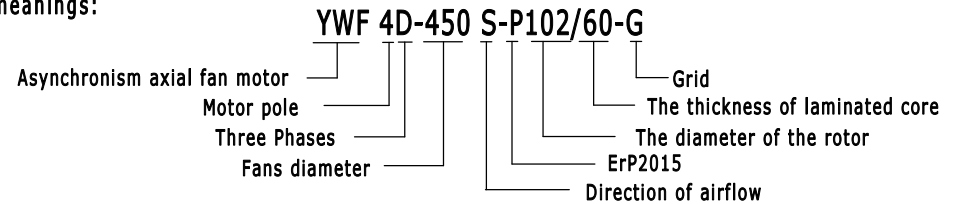
Temperature increase: $\Delta T \leq 75K$

Motor protection:thermocontact 135±5°C

Bearings: ball bearings

License: CE CCC

Model meanings:



Electrical connection:lead wire Silikon 6G 0.50mm², Length 100mm in terminal box connected

Direction of rotation: clockwise(sucking),Airflow direction:"S" looking at rotor side

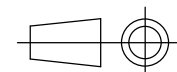
APPROX. WEIGHT

MEANS

REV.	DESCRIPTION	APPROVED	DATE	DECIMAL	TOLERANCE	SIGN	DATE
				X	±0.5	DRN. BY	
				X.X	±0.25	CHD. BY	
				X.XX	±0.15	ENG. BY	
				ANGLE	±3°	APP. BY	

TITLE
YWF4D-450S-P102/60-G

PROJECTION



A4
 SCALE
 SHEET: of