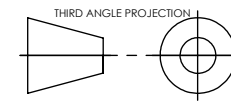




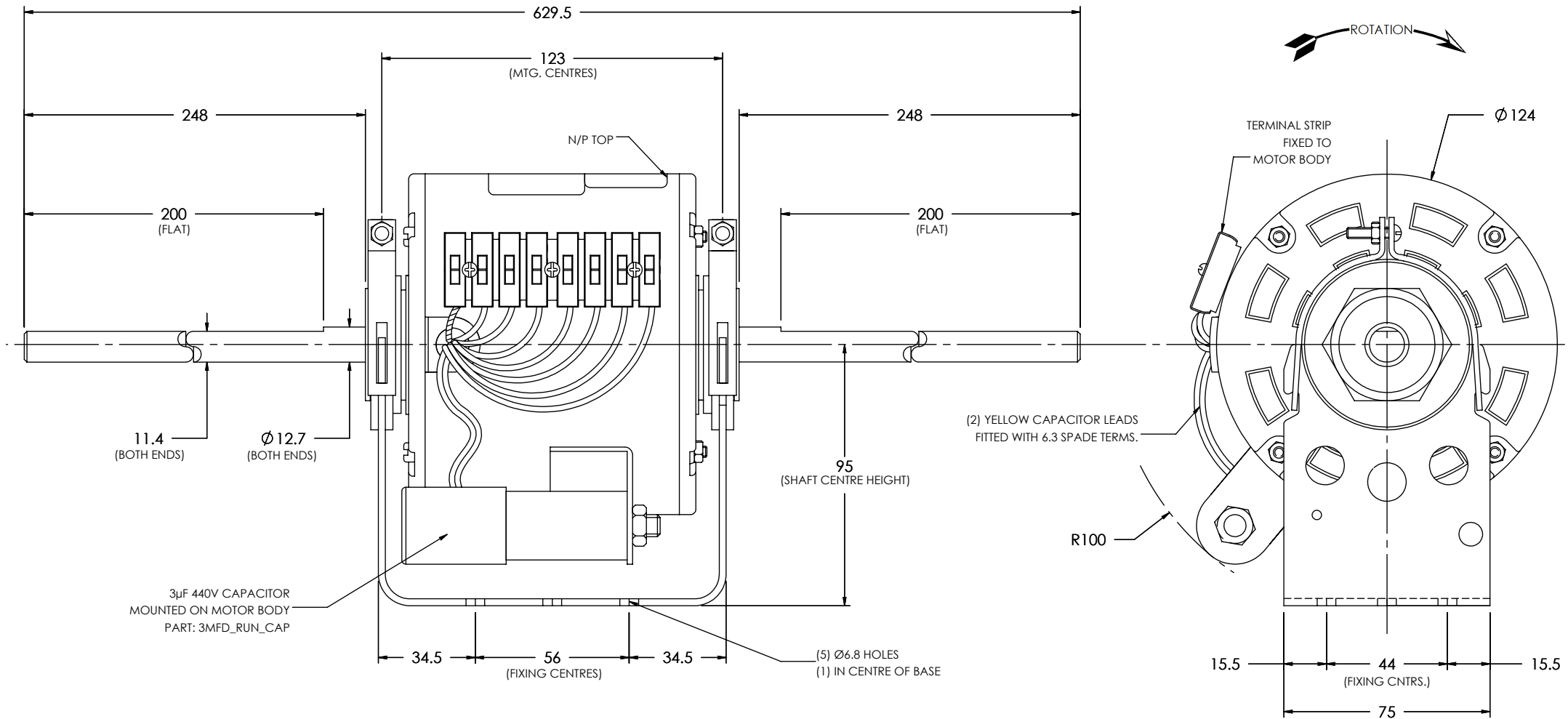
PROPRIETARY INFORMATION NOTICE:  
THIS DOCUMENT IS AND CONTAINS CONFIDENTIAL TRADE SECRET INFORMATION OF THE COMPANY AND REMAINS THE PROPERTY OF THE COMPANY AND IS TO BE RETURNED UPON REQUEST. NEITHER IT NOR THE INFORMATION IT CONTAINS MAY BE REPRODUCED OR DISCLOSED TO PERSONS NOT HAVING A NEED-TO-KNOW CONSISTENT WITH THE PURPOSE OF THE LOAN OF THE DOCUMENT



# 48-4-100/6DSL

Remco Products Ltd W.Sussex PO22 9QT  
Tel: +44(0)1243 869905  
Email: sales@remco.co.uk

CUSTOMER IS SOLELY RESPONSIBLE FOR MOTOR PERFORMANCE AND SUITABILITY IN APPLICATION FOR CUSTOMER'S USES.



ALL DIMENSIONS IN MILLIMETERS UNLESS STATED. DRAWING NOT TO SCALE

<b>ROTATION ACWLE</b> Part no: 48-4-100/6DSL_4 Drawn By: M.Tillyer Checked By: C. Millett Approved By: A. Wise Date: 18/12/19		<b>ISSUE 4 18-DEC-19</b> <b>NAMEPLATE DATA:</b> <div style="border: 1px solid black; padding: 5px; text-align: center;"> <p><b>REMCO</b> <b>CE</b></p> <p>MODEL NO. 48-4-100/6DSL</p> <p>220-240V 50Hz 1300rpm</p> <p>1.0A 100W 3mfd 440V</p> <p>CLASS B 4 POLE</p> <p>THERMALLY PROTECTED</p> <p>ROT ←</p> </div>		<b>WEIGHT 5.1kg</b> <b>CONNECTION NAMEPLATE:</b> <div style="border: 1px solid black; padding: 5px;"> <p><b>48-4-100/6DS CONNECTOR DIAGRAM</b></p> <table style="width: 100%; border-collapse: collapse;"> <tr> <td style="width: 20px;">YELLOW/GREEN</td> <td>→ EARTH</td> </tr> <tr> <td>RED</td> <td>→ LOW SPEED</td> </tr> <tr> <td>BROWN</td> <td>→ SPEED 5</td> </tr> <tr> <td>ORANGE</td> <td>→ SPEED 4</td> </tr> <tr> <td>BLUE</td> <td>→ SPEED 3</td> </tr> <tr> <td>GREY</td> <td>→ SPEED 2</td> </tr> <tr> <td>BLACK</td> <td>→ HIGH SPEED</td> </tr> <tr> <td>WHITE</td> <td>→ NEUTRAL</td> </tr> <tr> <td>YELLOW</td> <td>→ CAP</td> </tr> </table> </div>		YELLOW/GREEN	→ EARTH	RED	→ LOW SPEED	BROWN	→ SPEED 5	ORANGE	→ SPEED 4	BLUE	→ SPEED 3	GREY	→ SPEED 2	BLACK	→ HIGH SPEED	WHITE	→ NEUTRAL	YELLOW	→ CAP	<b>ENCLOSURE: TOTALLY ENCLOSED</b> <b>BEARING: BALL BEARING</b> <b>PROTECTION: THERMALLY PROTECTED</b> <b>INSULATION: CLASS B</b>	
YELLOW/GREEN	→ EARTH																								
RED	→ LOW SPEED																								
BROWN	→ SPEED 5																								
ORANGE	→ SPEED 4																								
BLUE	→ SPEED 3																								
GREY	→ SPEED 2																								
BLACK	→ HIGH SPEED																								
WHITE	→ NEUTRAL																								
YELLOW	→ CAP																								