

Engine Starter Solenoid



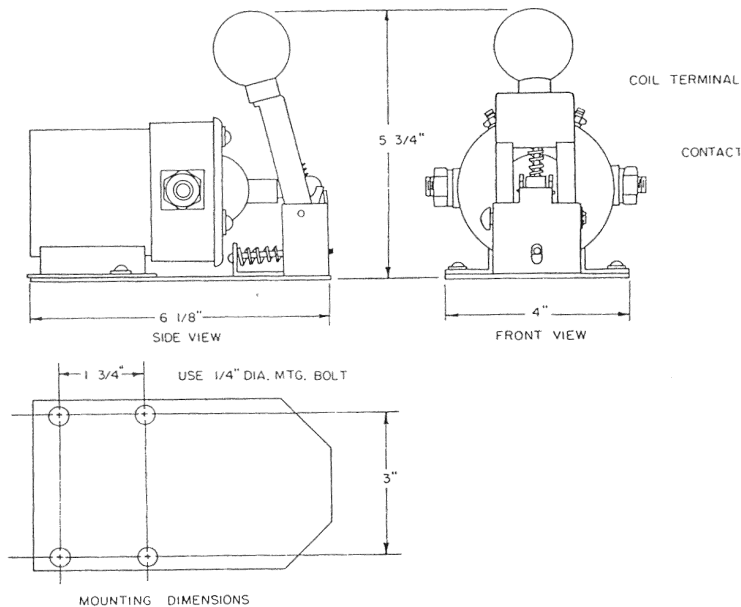
Type 1804

REF:\wp_docs\GENSET\ds_SOLENOID.doc

Ver 1.2

General

These high power rated starter solenoids are available with or without an emergency start lever with either 12 or 24V DC coils.



Specifications

Maximum coil current:	12v units= 10A max, 24v units =6A max
Contact voltage	30v DC (All models)
Contact rolling current:	1000A DC
Contact breakaway current:	2000A DC

Models

1804A-12	=	12V DC coil with emergency start lever
1804A-24	=	24V DC coil with emergency start lever

