

Customer	Date	1/19/2018
Contact	Project	
Phone number	Project no.	
Email		

ESHE 32-160/22/P25RSSA

Operating data

Pump type	Single head pump	Fluid	Water, pure
No. of pumps / Reserve	1 / 0	Operating temperature t A	°C 4
Nominal flow	m ³ /h 0	pH-value at t A	7
Nominal head	m 0	Density at t A	kg/m ³ 1000
Static head	m 0	Kin. viscosity at t A	mm ² /s 1.569
Inlet pressure	kPa 0	Vapor pressure at t A	kPa 100
Environmental temperature	°C 20	Solids	0
Available system NPSH	m 0	Altitude	m 0

Pump data

Make	Lowara	Nominal	m ³ /h ()
Speed	rpm 2900	Flow Max-	m ³ /h 27
Number of stages	1	Min-	m ³ /h 9
Max. casing pressure	kPa	Nominal	m
Max. working pressure	kPa 301.8	Head at Qmax	m 15.6
Head H(Q=0)	m 31	at Qmin	m 29.7
Weight	kg	Shaft power	kW ()
	Max. mm 154	Max. shaft power	kW 2.2
Impeller R designed	mm 154	Efficiency	%
	Min. mm 141	NPSH 3%	m
Suction nozzle	DN 50 PN 12 EN1092-2 (e-SH)	Discharge nozzle	DN 32 PN 12 EN1092-2 (e-SH)

Pump Materials

Pump body	Stainless steel / AISI 316L
IMPELLER	Stainless steel / AISI 316L
SEAL HOUSING	Stainless steel / AISI 316L
WEAR RING	Stainless steel / AISI 316L
Counterwear ring	Stainless steel / AISI 316L
Shaft extension	Stainless steel / AISI 316
Rigid shaft coupling	Stainless steel / AISI 316
Impeller locknut and washer	Stainless steel / AISI 316
Tab	Stainless steel / AISI 316L

Shaft Seal

Single Seal	Roten
e-SH - uniten	V-Ceramic
Rotating Assembly	B-Resin impregnated carbon
Fixed Assembly	V-FKM (FPM)
Elastomers	G-AISI 316
Springs	G-AISI 316
Other Components	G-AISI 316

Motor data

Manufacturer	Lowara	Electric voltage	400 V
Specific design	IE3 Three phase surface motor		
Type	PLM90.../322 E3	Electric current	4.56 A
Rated power	2.2 kW	Degree of protection	IP 55
Speed	2885 rpm	Insulation class	F
Frame size	90	Weight	18 kg
Shaft diameter	0 mm	Colour	RAL 5010

Coupling

Manufacturer	
Series	
Type	
Frame size	
Spacer length	
Weight	
Coupling protection	

Base plate

Description	
Weight	

Remarks:

Customer	Date	1/19/2018
Contact	Project	
Phone number	Project no.	
Email		

ESHE 32-160/22/P25RSSA

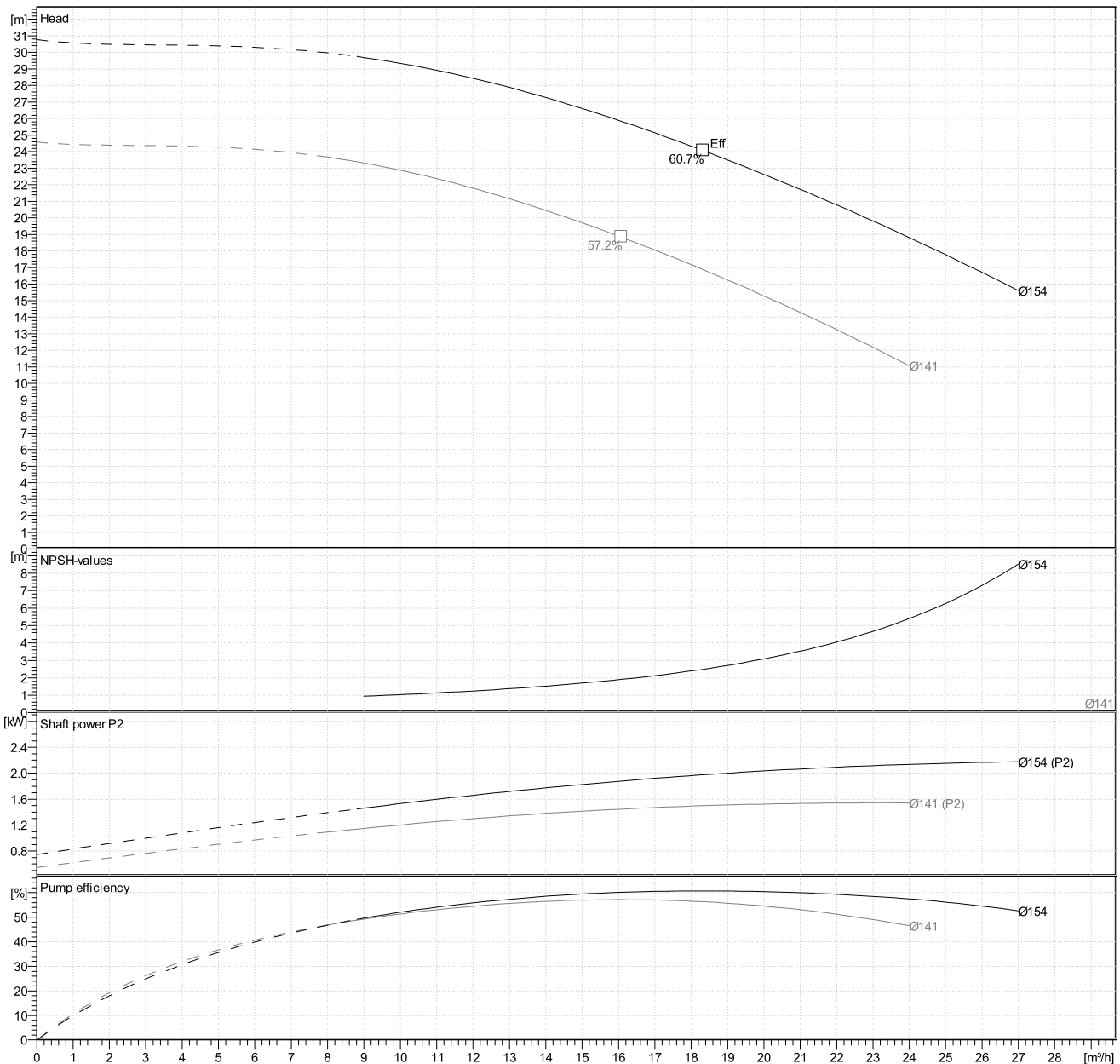
Hydraulic data

Operating Data Specification		Hydraulic data (duty point)		Impeller design	
Flow	0 m ³ /h	Flow		Impeller R	154 mm
Head	0 m	Head		Frequency	50 Hz
Static head	0 m	MEI >=0,4		Speed	2900 rpm

Power data referred to:

Water, pure [100%] ; 4°C; 1000kg/m³; 1.57mm²/s

Performance according to ISO 9906:2012 – Grade 3B



Customer	Date	1/19/2018
Contact	Project	
Phone number	Project no.	
Email		

ESHE 32-160/22/P25RSSA

Dimensions mm/l

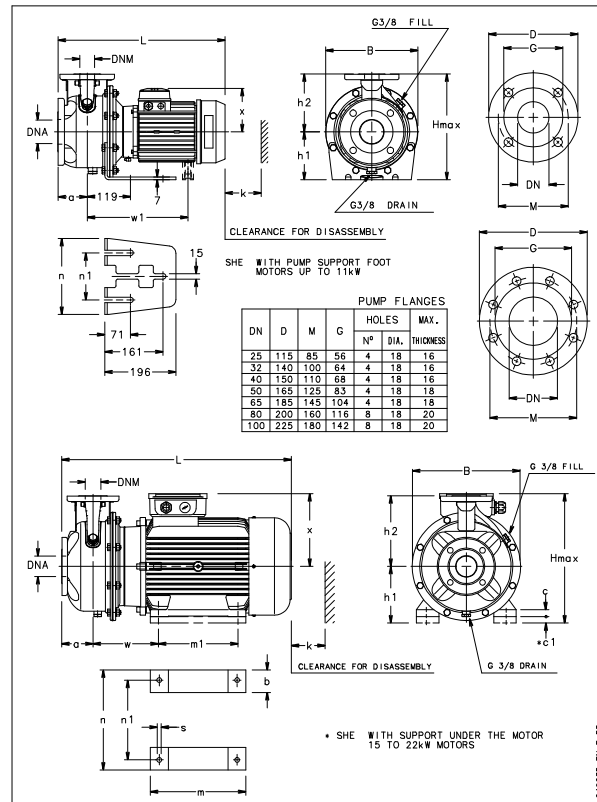
a	80		
B	253		
DNA	50		
DNM	32		
h1	132		
h2	160		
Hmax	292		
k	98		
L	478		
n	210		
n1	130		
x	134		
		Total weight	29 kg

Connections mm

Suction nozzle	Discharge nozzle
DN 50	DN 32
PN 12	PN 12
EN1092-2 (e-SH)	EN1092-2 (e-SH)

D	165	D	140
Dia. Holes	18	Dia. Holes	18
DN	50	DN	32
G	83	G	64
M	125	M	100
Max thickness	18	Max thickness	16
N° Holes	4	N° Holes	4

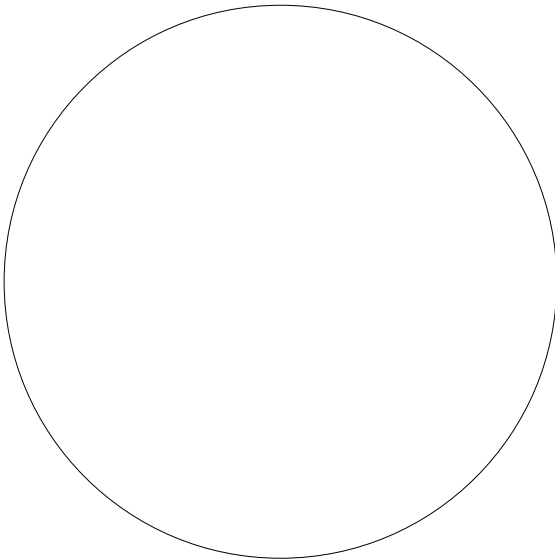
Drawing



ESHE 32-160/22/P25RSSA

Total lifetime	15	Inflation rate (rate of price increases)	2 %
Annual operating time	5600	Interest rate (for investment)	3 %
Energy cost per kWh	0.00 GBP		
Power input P1			

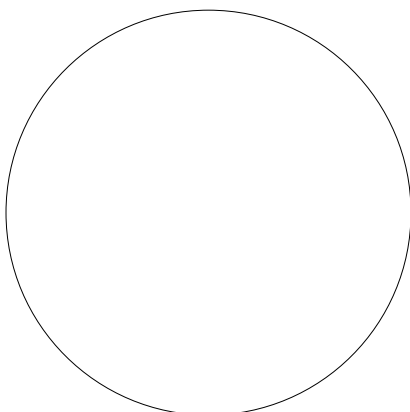
Total costs



- 0%** **0.00 GBP** Energy
- 0%** **0.00 GBP** Investment costs
- 0%** **0.00 GBP** Installation & commissioning
- 0%** **0.00 GBP** Operating cost
- 0%** **0.00 GBP** Maintenance & repair
- 0%** **0.00 GBP** Downtime
- 0%** **0.00 GBP** Environmental
- 0%** **0.00 GBP** Decommissioning

GBP

First year costs



- 0%** **0.00 GBP** Energy (1st year)
- 0%** **0.00 GBP** Investment costs (1st year)
- 0%** **0.00 GBP** Installation & commissioning (1st year)
- 0%** **0.00 GBP** Operating cost (1st year)
- 0%** **0.00 GBP** Maintenance & repair (1st year)
- 0%** **0.00 GBP** Downtime (1st year)
- 0%** **0.00 GBP** Environmental (1st year)
- 0%** **0.00 GBP** Decommissioning (1st year)

GBP